



360VISION TECHNOLOGY

PREDATOR with
THERMAL CAMERA
Product Brochure



**DESIGNED AND
MANUFACTURED
IN THE UK**





Product Brochure

PREDATOR THERMAL



High Speed Ruggedised Pan, Tilt and Zoom Camera Featuring 336 or 640 line resolution Thermal Camera

UK Manufacture
Designed and Manufactured in the UK.

Paint Colour Options
Any colour, any quantity.

Attack Detect Feature
Predators will automatically return to their original position if physically moved/attacked.

Multi-Protocol Integration
The PREDATOR range comes with multi-protocols as standard allowing complete integration with many leading DVRs, Matrices and IP systems

Intelligent Lighting control
Illumination automatically adjusts the lighting intensity to ensure the highest quality images under variable lighting conditions.

Illumination
Full range of Dual IR & White Light options. Up to 250 metres of IR lighting and up to 250 metres of white light giving 'COLOUR VIDEO at NIGHT'. Sirius illumination combines narrow, medium and wide angle lenses to give a wide range of light spread (from 9° to 45°). Choice of standard IR 850nm or covert 940nm available.

IP68 Certification
IP68 certified for the harshest environments.

Extreme Low Light Capability
Frame integration cameras give usable video images as low as 0.01 lux

Privacy Zones
24 privacy zones are available with simple joystick positioning and sizing.

Colour/Mono Cameras
The PREDATOR range includes 18x, 28x, or 44x zoom with autofocus featuring Sony ExView, Wide Dynamic Range (WDR) camera technology which gives excellent low light performance. 360 Vision software enables the colour/mono switch over levels to specific lighting conditions

Maritime Paint
10 year maritime paint option.

Warranty
3 year warranty



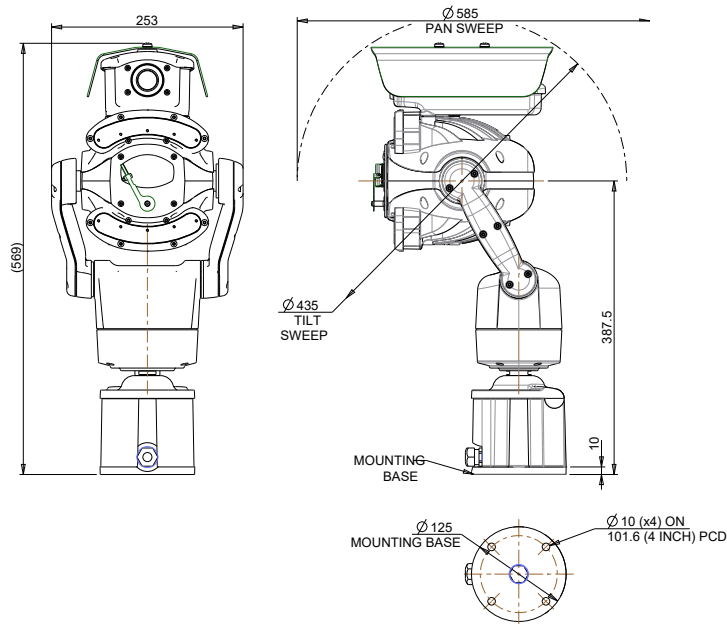


Product Brochure

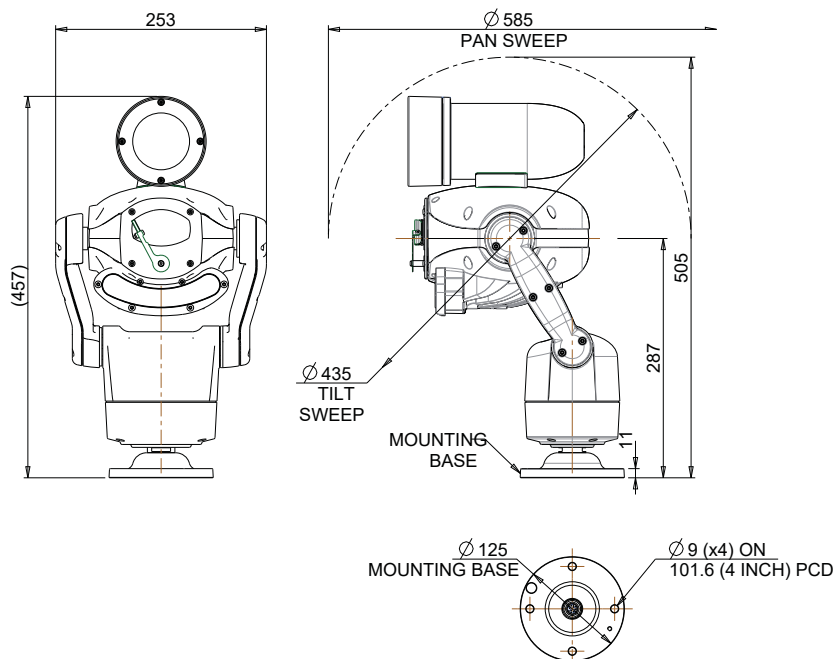
PREDATOR THERMAL



Predator
9-35mm Thermal lens
Weight: 10.5kg



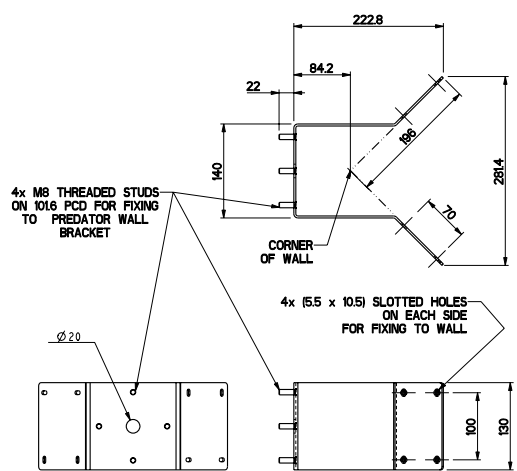
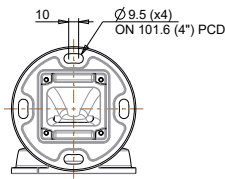
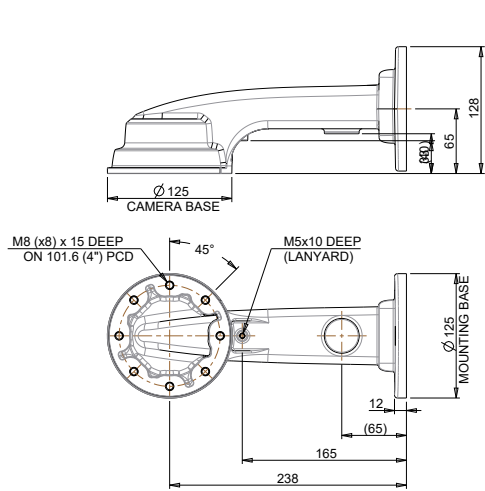
Predator
50-100mm Thermal lens
Weight: 9.5kg



PREDATOR Bracketry

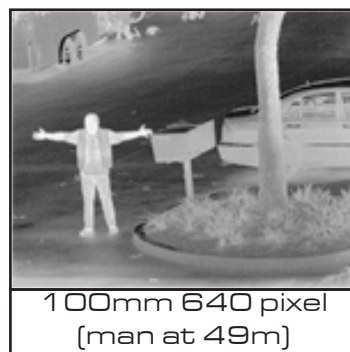
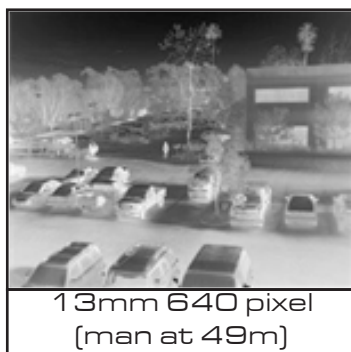
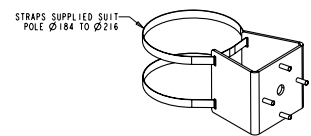
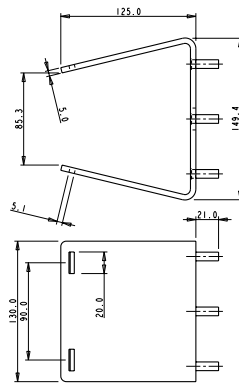
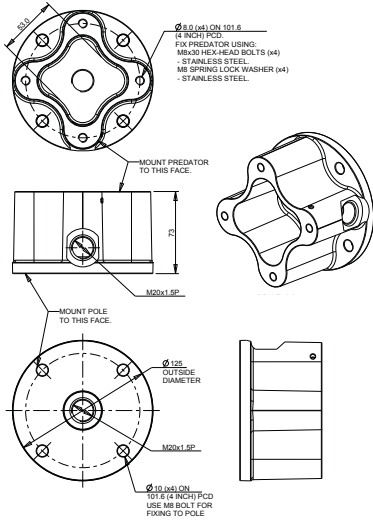
Wall Bracket
Weight: 1 kg

Corner Bracket
Weight: 2.2kg



Pole Mount Adapter (PMA)
Weight: 1 kg

Pole Mount Bracket (PMB)
Weight: 2.5kg



PRODUCT SPECIFICATION	Sony 18x Col/Mono	Sony 28x Col/Mono	Sony 44x Col/Mono					
Colour/Mono	Yes	Yes	Yes					
Imager	1/4" type Super-HAD CCD II	1/4" type Super-HAD CCD II	1/4" type Super-HAD CCD II					
Zoom - Optical + Digital	18x, 12x	28x, 12x	44x, 12x					
Zoom - Total	216x	336x	528x					
Line Resolution	670	670	670					
Horizontal view angle	2.8°(T) - 48°(W)	2.1°(T) - 55.8°(W)	1.6°(T) - 68.8°(W)					
Lens Size	4.1 - 73.8mm	3.5 - 98mm	3.06 - 134mm					
Min Sensitivity - colour	0.4 Lux	0.4 Lux	0.6 Lux					
Min Sensitivity - mono Int	0.01 Lux	0.01 Lux	0.01 Lux					
Signal Noise Ratio	>50dB	>50dB	>50dB					
Picture Flip	Yes	Yes	Yes					
PRODUCT FEATURES	ALL PREDATOR units have the following functions							
Video Output	1V p to p, 75 Ω							
Scanning	PAL or NTSC							
Focus/Iris	Auto/Manual							
Presets	360							
Tours	4 (max 90 presets per tour)							
Learned Patrols	4 mimic tours - up to 30 minutes duration each							
Privacy Zones	Up to 24							
Telemetry	Coaxial or RS485							
Protocols - includes	360, Pelco P/D/Coax, Ultrak RS485, Forward Vision, VCL RS485/Coax							
Variable pan speed/coverage	0.1 - 120°/sec, 360° continuous rotation, absolute positioning							
Variable tilt speed/coverage	0.1 - 120°/sec, 180°, absolute positioning							
Auto Homing	Goes to preset, tour or mimic tour after prescribed time							
Col/Mono Changeover	4 levels - 3 fixed, 1 custom/user defined							
Operating temperature	-50°C to +60°C with optional heater							
Power	24vac/30vdc							
Mounting options	Wall, Corner, Pole and Soffit							
Certification	Ingress IP68;							
THERMAL CAMERA RANGE								
Thermal Imager	Uncooled VOx Microbolometer							
FPA/Digital Video Display	336 x 256	640 x 512						
Spectral Band	7.5 - 13.5							
Exportable Frame Rates	8.3Hz (PAL)							
Sensitivity (NETD)	<50mK at f/1.0							
Digital Detail Enhancement	YES							
Pixel Pitch	17µm							
THERMAL CAMERA RANGE	9mm	13mm	19mm	25mm	35mm	50mm	60mm	100mm
336	35°	25°	17°	13°	9.3°	6.5°	5.5°	3.3°
640	69°	45°	32°	25°	18°	12.4°	10.4°	6.2°
SIRIUS ILLUMINATION	IR & WHITE LIGHT (Nominal)				Standard Paint Options		RAL	
IR60	IR 60 metres				Black		9005	
IR50WL	IR 50 metres, WL 50 metres				White		9003	
WEIGHTS					Cool Grey		7035	
Predator TC	10.5kg				Mid Grey		7001	
Predator Long Range TC	9.5kg (with LED Array)							



360 Vision Technology Ltd

Unit 7 Seymour Court Manor Park Runcorn Cheshire WA7 1SY UK

Tel: +44 (0)870 903 3601 Fax: +44 (0)870 903 3602

info@360visiontechnology.com

www.360visiontechnology.com





360VISION
TECHNOLOGY