



Product Datasheet

VisionDome VR HD



High Speed High Definition Pan, Tilt and Zoom Camera

UK Manufacture
Designed and Manufactured in the UK.

Protocols
ONVIF 'S' compliant or 360SDK, see our web site for the many compatible VMS systems.

IP66 Certification
IP66 (External Version) certified for the harshest environments.

360 Enhanced Low Light cameras
360 Enhanced low light cameras with mono video images as low as 0.0008 lux (no illumination)

Built in EDGE recording option - 128 or 256Gb Storage on board
Continuous/FTP Upload/Network Loss/Alarm Scheduled recording option to On Board Storage.

Privacy Zones
24 privacy zones are available with simple joystick positioning and sizing.

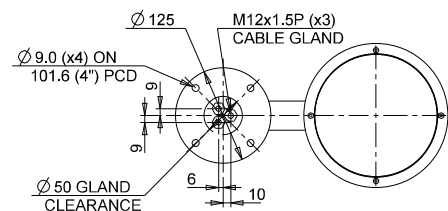
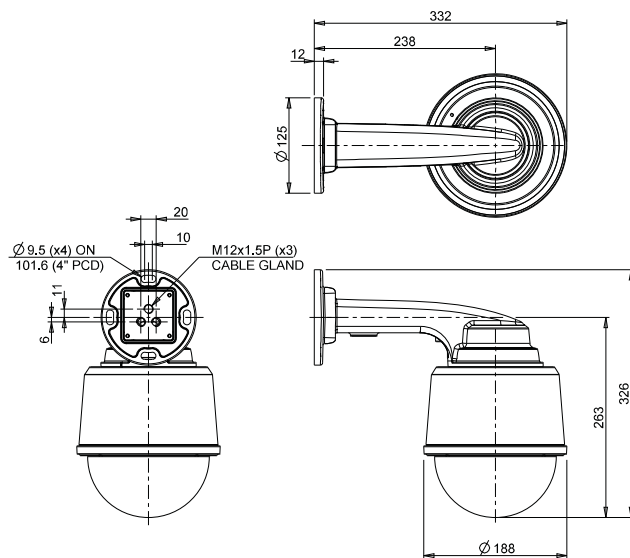
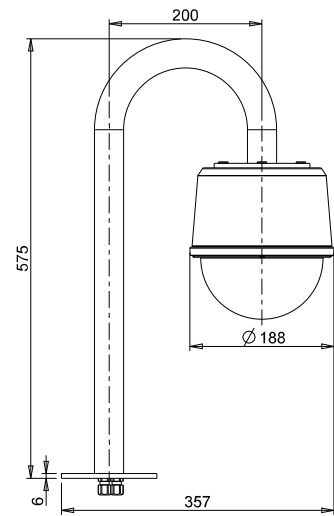
POE
Available as a POE+ camera.

Warranty
3 year warranty.

IP Multi Stream Codec
2 Codec streams up to 1080p (25fps/30fps).



PRODUCT SPECIFICATION	NIGHT VISION	NIGHT VISION ULTRA	30x HD ENHANCED LOW LIGHT
Colour/Mono	Yes	Yes	Yes
Imager (CMOS)	1/2.8-type Exmor	1/2.8-type Exmor	1/2.8-type Exmor R
Zoom - Optical + Digital	30x, 12x	20x, 12x	30x, 12x
Zoom - Total	360x	240x	360x
Pixels	Approx 2.38 Megapixels	Approx 2.14 Megapixels	Approx 2.13 Megapixels
Horizontal view angle	2.3°(T) - 63.7°(W)	3.3°(T) - 59.5°(W)	2.3°(T) - 63.7°(W)
Lens Size	4.3 - 129mm	4.7 - 94mm	4.3 - 129mm
Min Sensitivity - colour	0.1 Lux	0.1 Lux	0.0013 Lux
Min Sensitivity - mono Int	0.013 Lux	0.008 Lux	0.0008 Lux
Signal Noise Ratio	>50dB	>50dB	>50dB
PRODUCT FEATURES	ALL units have the following functions		
Focus/Iris	Auto/Manual		
Presets	360		
Tours	4 (max 90 presets per tour)		
Learned Patrols	4 mimic tours - up to 30 minutes duration each		
Privacy Zones	Up to 24		
Variable pan speed/coverage	0.1 - 400°/sec, 360° continuous rotation, absolute positioning		
Variable tilt speed/coverage	0.1 - 200°/sec, 90°, absolute positioning		
Auto Homing	Goes to preset, tour or mimic tour after prescribed time		
Col/Mono Changeover	4 levels - 3 fixed, 1 custom/user defined		
Operating temperature	-40°C to +60°C with optional heater		
Power	24vac/30vdc		
Mounting options	Wall, Corner, Pole and Soffit		
Certification	CE approval; Ingress IP66		
CODEC	25fps	ASPECT	30fps
HD1080p	1920x1080	16:9	1920x1080
HD720p	1280x720	16:9	1280x720
D1	720x576	4:3	720x480
VGA	640x480	4:3	640x480
QVGA	432x240	16:9	432x240
Distribution	Multi Codec 2 streams		
Image Compression	H.264, MPEG4, MJPEG		
Protocols	ONVIF (S), TCP/IP, HTTP, RTP, RTSP, 360SDK		
Compression levels	CBR, VBR CVBR		



All trademarks are used courtesy of registered owners. VisionDome HD is a registered trademark of 360 Vision Technology Ltd. The manufacturer reserves the right to change specifications without notice.