



## Product Datasheet

# VisionDome HD



Internal Wall Mount

## High Speed High Definition Pan, Tilt and Zoom Camera

**UK Manufacture**  
Designed and Manufactured in the UK.

**Protocols**  
ONVIF 'S' compliant or 360SDK, see our web site for the many compatible VMS systems.

**360 Enhanced Low Light cameras**  
360 Enhanced low light cameras with mono video images as low as 0.0015 lux (no illumination)

**Built in EDGE recording option** - 128 or 256Gb Storage on board  
Continuous/FTP Upload/Network Loss/Alarm Scheduled recording option to On Board Storage.

**Privacy Zones**  
24 privacy zones are available with simple joystick positioning and sizing.

**POE**  
Available as a POE+ camera.

**Warranty**  
3 year warranty.

**IP Multi Stream Codec**  
2 Codec streams up to 1080p (25fps/30fps).

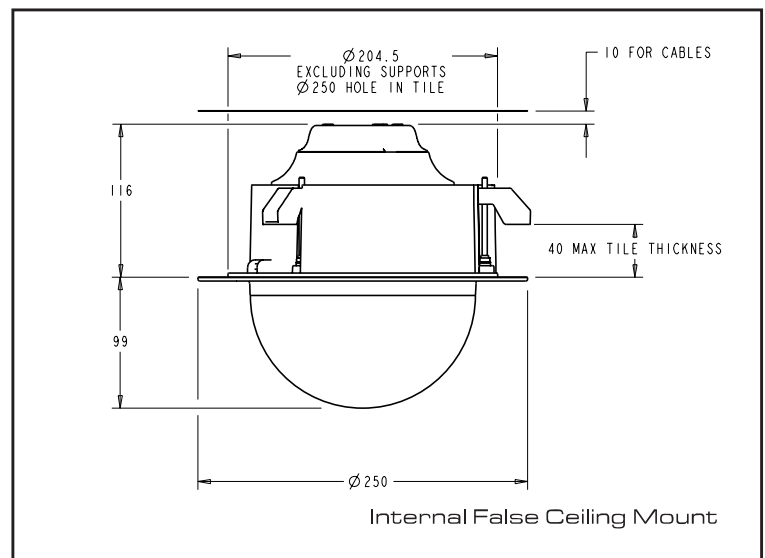
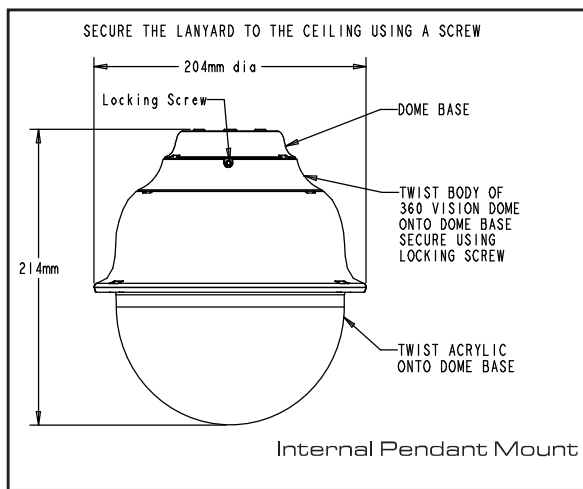


Internal Pole Mount



Internal False Ceiling Mount

PRODUCT SPECIFICATION	20xHD ENHANCED	30X ENHANCED
Colour/Mono	Yes	Yes
Imager (CMOS)	1/2.8-type Exmor R	1/2.8-type Exmor R
Zoom - Optical + Digital	20x, 12x	30x, 12x
Zoom - Total	240x	360x
Pixels (Megapixels)	Approx 2.13	Approx 2.13
Horizontal view angle	55.4°[W] - 2.9°[T]	63.7°[W] - 2.3°[T]
Lens Size	4.7 - 94mm	4.3 - 129mm
Min Sensitivity - colour	0.01 Lux	0.01 Lux
Min Sensitivity - mono Int	0.0015 Lux	0.0015 Lux
Signal Noise Ratio	>50dB	>50dB
Picture Flip	Yes	Yes
Picture Freeze	Yes	Yes
<b>PRODUCT FEATURES</b>	ALL units have the following functions	
Focus/Iris	Auto/Manual	
Presets	360	
Tours	4 (max 90 presets per tour)	
Learned Patrols	4 mimic tours - up to 30 minutes duration each	
Privacy Zones	Up to 24	
Variable pan speed/coverage	0.1 - 400°/sec, 360° continuous rotation, absolute positioning	
Variable tilt speed/coverage	0.1 - 200°/sec, 90°, absolute positioning	
Auto Homing	Goes to preset, tour or mimic tour after prescribed time	
Col/Mono Changeover	4 levels - 3 fixed, 1 custom/user defined	
Operating temperature	-40°C to +60°C	
Power	24vac/30vdc	
Mounting options	Wall, Corner, Pole and Soffit	
Certification	CE approval	



All trademarks are used courtesy of registered owners. VisionDome HD is a registered trademark of 360 Vision Technology Ltd. The manufacturer reserves the right to change specifications without notice.