

# PREDATOR RADAR



**DESIGNED &  
MANUFACTURED  
IN THE UK**

**Unique Integrated  
Radar & Predator  
1080p HD Camera**

  
**360VISION**  
TECHNOLOGY

## Introducing the Predator Radar Unique Integrated Radar & Predator 1080p HD Camera

- Cost effective perimeter/wide area surveillance.
- Up to 200m radius/400m diameter constant surveillance.
- Predator Radar is designed for applications where wide area detection and tracking of moving objects is required.
- Predator Radar does not need visual clarity and therefore works in all weather conditions - rain, fog, snow, mist, coastal as well as extreme hot and cold climates.
- Predator Radar scans 360° once every second to detect and automatically track up to 8 simultaneous objects.
- 8 simultaneous objects can be tracked using sophisticated and intelligent "Time Share" alarm handling - ensuring all alarms are evenly or priority handled.
- Alarms are overlaid on screen to notify the operator that a target is being tracked, even when the camera is looking elsewhere.
- Up to 4 Predator PTZ cameras per radar unit, with flexible configuration options - cover multiple zones, or achieve multiple views on a single target.
- Incorporating optional software features such as control of Predator's Intelligent Illumination to give clear video images at night, whilst offering a deterrent with White Light or a more discrete solution with IR or covert IR.



Full 1080p High Definition Video



## High Speed High Definition Ruggedised RADAR Controlled Pan, Tilt and Zoom Camera

### UK Manufacture

- Designed and manufactured in the UK.

### Paint Colour Options

- Any colour, any quantity.

### Attack Detect Feature

- Predator will automatically return to its original position if physically moved/attacked.

### Protocols

- ONVIF 'S' compliant or 360SDK, see our website for the many compatible VMS systems.

### Intelligent Lighting Control

- Illumination automatically adjusts the lighting intensity to ensure the highest quality images under variable lighting conditions.

### Illumination

- Full range of 'Patent Pending' Dual IR & White Light options. Up to 600 metres of IR lighting and/or White Light giving colour video at night. Sirius illumination combines narrow, medium and wide angle lenses to give a wide range of light spread (from 9° to 50°). Choice of standard IR 850nm or covert 940nm available.

### IP68 Certification

- IP68 certified for the harshest environments.

### 360 Enhanced Low Light cameras

- 360 Enhanced low light cameras with mono video images as low as 0.0008 lux (no illumination).

### Built in EDGE recording option - 128 or 256Gb

#### Storage on board

- Continuous/FTP Upload/Network Loss/Alarm Scheduled recording option to On Board Storage.

### Privacy Zones

- 24 privacy zones are available with simple joystick positioning and sizing.

### Maritime Paint

- 10 year maritime paint option.

### Warranty

- 3 year warranty.

**DESIGNED &  
MANUFACTURED  
IN THE UK**



# Predator Radar Specification

PRODUCT SPECIFICATION	40x HD SUPER LOW LIGHT
Colour/Mono	Yes
Imager (CMOS)	1/2.8-type Exmor R
Zoom - Optical + Digital	40x, 12x
Zoom - Total	480x
Pixels	Approx 2.38 Megapixels
Horizontal view angle	66 (W) °-1.9 ° (T)
Lens Size	4.25 -170 mm
Min Sensitivity - colour	0.001 Lux
Min Sensitivity - mono Int	0.0002 Lux
Signal Noise Ratio	>50dB
Picture Freeze	Yes
Picture Flip	Yes
<b>PRODUCT FEATURES</b>	ALL PREDATOR units have the following functions
Focus/Iris	Auto/Manual
Presets	360
Tours	4 (max 90 presets per tour)
Learned Patrols	4 mimic tours - up to 30 minutes duration each
Privacy Zones	Up to 24
Variable pan speed/coverage	0.1 - 120°/sec, 360° continuous rotation, absolute positioning
Variable tilt speed/coverage	0.1 - 120°/sec, 180°, absolute positioning
Auto Homing	Goes to preset, tour or mimic tour after prescribed time
Col/Mono Changeover	4 levels - 3 fixed, 1 custom/user defined
Operating temperature	-50°C to +65°C with optional heater
Power	28-36VDC (POE IEEE 802.3bt Options)
Mounting options	Wall, Corner and Pole
Certification	UKCA, CE & FCC approval: Ingress IP68: Impact IK10 : vibration & shock certified approvals. Independent power certification and Elexon Charge Codes available

SIRIUS ILLUMINATION	IR & WHITE LIGHT
IR75	IR 75 metres
IR125	IR 125 metres
IR100WL	IR 100 metres, WL 100 metres
SIR110	110m 850nm/70m 940nm No Glow IR
SIR160	160m 850nm/100m 940nm No Glow IR
SIR140WL	140m 850nm IR + White Light/85m 940nm No Glow IR
250SWL	WL 250 metres
SIR250WL	250m 850nm IR + White Light/150m 940nm No Glow IR
SIR275	275m 850nm IR/165m 940nm No Glow IR

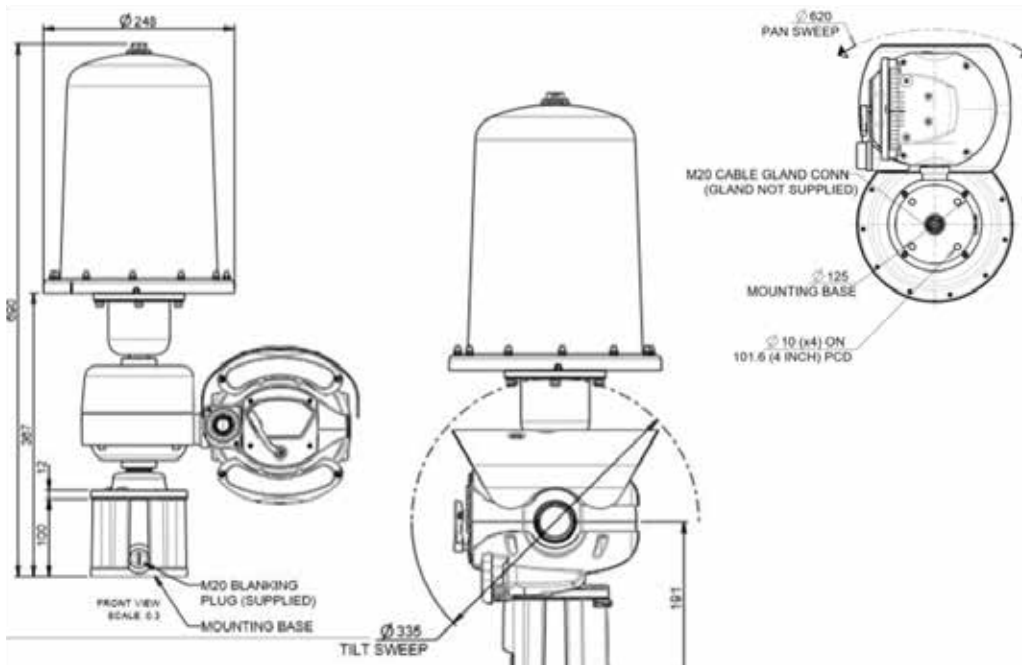
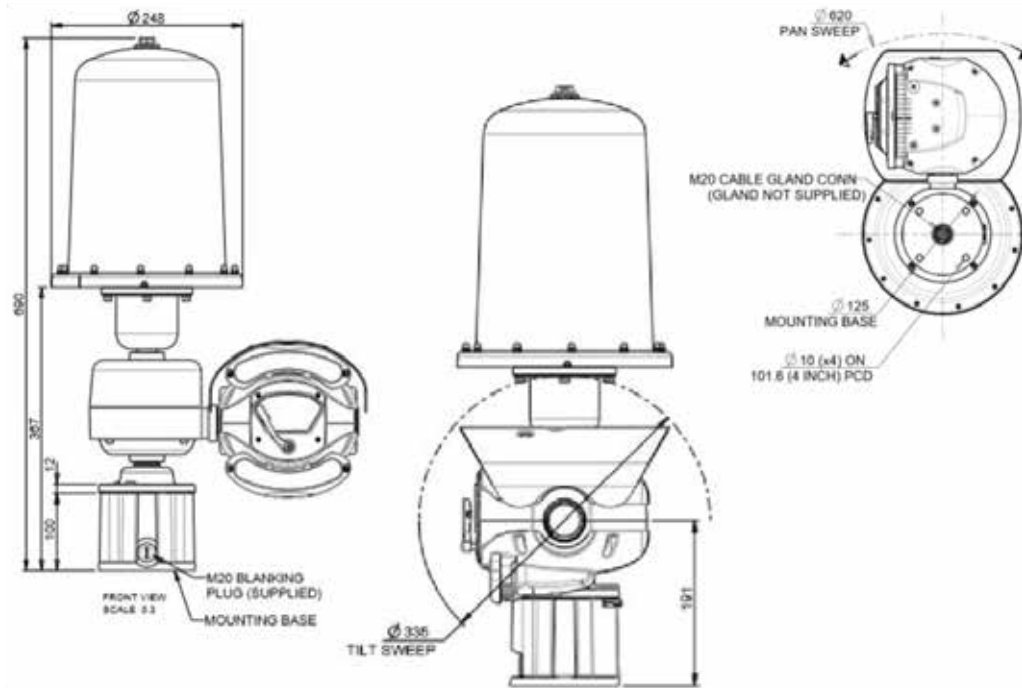
CODEC	25/50fps	ASPECT	30/60fps
1080P	1920x1080	16:9	1920x1080
720P	1280x720	16:9	1280x720
576P	1024x576	16:9	1024x576
480P	720x480	3:2	720x480
240P	320x240	4:3	320x240
D1	720x576	4:3	720x480
VGA	640x480	4:3	640x480
SXGA*	1280x1024	5:4	1280x1024
XGA*	1024x768	4:3	1024x768
QVGA	320x240	4:3	320x240
Distribution*	Multi Streaming Codec, 2 independently configurable profiles		
Image Compression	H.264, MJPEG, H.265		
Protocols	TCP/IP, IPv4, ONVIF (S), 802.1x, MD5, TLS, PEAP, HTTP, HTTPS, RTP, RTSP, RTSP over HTTPS, 360SDK, QoS, IGMP v3, SNMP v3, NTP, FTP, Digest Authentication		
Compression levels	CBR, VBR		

\*some restrictions apply

RADAR FEATURES	
Maximum Range	200m Man/Vehicle Radius
Range Resolution	1.5m
Beamwidth - Azimuth	2°
Beamwidth - Elevation	Spread Beam
Field of View	360°
Scan Rotation Rate	1 RPS
Interface	100Mb Ethernet
Mounting Height	3 - 6 metres
Environmental	IP67 BS EN 60068-2-52
Operating Frequency	24.05 - 24.25 GHz (license exempt ISM band)
Operating Temp	-20°C to +60°C
PoE	802.3af
Compliance	CE Marked EN 301489 IEC 60950 EN 300440

All trademarks are used courtesy of registered owners. PREDATOR RADAR is a registered trademark of 360 Vision Technology Ltd. The manufacturer reserves the right to change specifications without notice.

# Predator Radar Scan 360 with High Intensity LED array



All trademarks are used courtesy of registered owners. PREDATOR RADAR is a registered trademark of 360 Vision Technology Ltd. The manufacturer reserves the right to change specifications without notice.

## 360 Vision Technology Ltd

Unit 7 Seymour Court, Manor Park,  
Runcorn, Cheshire WA7 1SY UK

T: +44 (0)1928 570000

info@360visiontechnology.com

www.360visiontechnology.com

