

PREDATOR ULTRA PTZ CAMERA FOR HIGHWAYS



Predator Ultra HDA
specifically tailored
to the application of
Highways surveillance

Predator Ultra PTZ Camera for Highways

This HDA Highways variant of the Predator Ultra range of cameras is supplied as standard with the SONY ULTRA sensor technology with the massive 40x optical zoom option on the Colour/Mono Auto Focus camera module, providing 24/7 imaging performance. This option also features the true Hybrid video output capability delivering both high resolution analogue 4:3 images and IP encoded video in industry specific D1 resolution up to full HD 1080P wide screen.

For zero light operation the Predator is available with 360 Vision's Integrated Intelligent directional Sirius IR LED illuminators. Sirius LED illuminators offer up to 600m IR (850nm) range matching the camera zoomed Field of View with specific LED lens groups, plus regulating the power feed to adjust the illumination to the observed scene.

360 Visions market leading low power management, Attack Detect automated repositioning system with Base Scan on Impact (BSI) and advanced image stabilisation are all standard features.

Additional options enabling compliance to National Highways MCE2625 camera performance specifications include integrated MIL Spec connect base, Alarm Inputs, On board recording, ONVIF protocols and IP Network configuration requirements. Built to withstand the performance requirements demanded for such applications, physically, mechanical and electrically including classifications such as the demanding Class B EMC Emissions Standard.

The Predator HDA is finished as standard with specific low reflectance highly durability paint coatings in RAL 7042 - Traffic Grey.

Further complementing the Highways Ultra HDA Predator are options for full stainless steel construction and additional Thermal imaging capability.



Support & Compatibility

Our commitment to the ONVIF organisation also extends to constant and proactive direct communication with leading VMS manufacturers to ensure fully featured and operational compatibility.

Our standard warranty is 3 years, with extension and innovative Support Package options for 5 year and 7-year terms offering additional layers of benefit for customer framework and maintenance agreements.

We believe in our manufacturing quality, innovative design and market leading support all provided from our factory facility in Runcorn UK, delivering direct support to System Integrators and delivery partners throughout the World.

| | | | | | |
|--|---|--|--|---|--|
| <p>Low Power</p> <p>'Low Power Mode' for inactive periods of operation, 'Intelligent Illumination' and 'Night Setting Presets' to control the illumination activity and low consumption components that all add up to greatly reduced power device for applications such as solar, fuel, battery and other low voltage sensitive applications</p> | <p>On Board Recording</p> <p>Recording options of up to 256Gb give network backup, time lapse, FTP and alarm recording. Network sensing automatically senses when connection is lost to ensure that full HD, real time images can be recorded inside the camera, ensuring no information is lost</p> | <p>Latest Camera Modules</p> <p>All Invictus cameras now benefit from a choice of either Starvis or ULTRA low light technology from the stunning new 1/1.9" ULL sensors. Larger sensor = brighter, crisper and more defined COLOUR images at night</p> | <p>Dual Camera Technology</p> <p>With a flexible specification using Dual Camera Technology, Predator Ultra Thermal can be ordered in a wide range of camera formats including Dual 640 Thermal Cameras and Thermal camera plus 1080P HD colour/Mono camera. Combining two camera technologies in one unit ensures the greatest technical flexibility and application compatibility</p> | <p>360 Degree View</p> <p>Continuous rotation pan, unobstructed 360 degree view, 160 degree tilt all contribute to unhindered views usually associated with Dome alternatives</p> | <p>Ruggedised</p> <p>Unlike our competitors, a self-calibrating 'Attack Detect' mode senses any forced or unnatural movement and INSTANTLY re-calibrates to the correct position, ensuring alarm and positional presets are not compromised</p> |
| <p>Infrared (IR)</p> <p>Infrared (IR) light cannot be seen with the human eye. When equipped with IR, Predator Ultra cameras can use the illumination to produce clear, evidential video quality images, whatever the lighting conditions. IR technology can be employed for covert applications, where operators require security measures to remain low key, or where the use of white light illumination may cause light pollution to nearby residents</p> | <p>Attack Detect Feature</p> <p>Predator Ultra Thermal and Predator Red's Attack Detect Feature ensures if a physical attack is detected, the camera will automatically return to its original position - ensuring no loss of evidential footage</p> | <p>Direct Drive Mechanism</p> <p>Unlike many competitor products that utilise belt based drive systems, Invictus incorporates ultra reliable and extremely quiet Direct Drive mechanisms, resulting in long life, high (and consistent) preset accuracy and long term reliability</p> | <p>Secure by Default</p> <p>360 Vision Technology surveillance camera products & components have been issued with certification by the Surveillance Camera Commissioner, with requirements to ensure the best possible assurance of protection against cyber-attacks</p> | <p>Thermal Imaging</p> <p>360 Vision Thermal Imaging technology can deliver high resolution images through smoke, dust, light fog, haze and the darkest of nights. Thermal imaging uses an object's heat trace to detect recently driven vehicles, hidden persons, recently disturbed ground, footprints and objects that are hidden to conventional camera technology</p> | <p>LED White Light</p> <p>Predator Ultra Thermal offers a comprehensive range of white light illumination options - featuring distances up to 200m. White light offers powerful illumination for overt applications, intruder tracking and deterrence</p> |

DESIGNED & MANUFACTURED IN THE UK

Predator Ultra PTZ Camera Specification

| PRODUCT SPECIFICATION | 40x HD ULTRA |
|------------------------------|---|
| Colour/Mono | Yes |
| Imager (CMOS) | 1/1.9" Sony Exmor |
| Zoom - Optical + Digital | 40x, 12x |
| Zoom - Total | 480x |
| Pixels (Effective) | Approx 2.38 Megapixels |
| Horizontal view angle | 60°(W) - 1.8°(T) |
| Lens Size | 6 - 240mm |
| Min Sensitivity - colour | 0.002 Lux |
| Min Sensitivity - mono Int | 0.0002 Lux |
| Signal Noise Ratio | >50dB |
| Picture Flip | Yes |
| Picture Freeze | Yes |
| Hybrid Video Output | Full HD IP Codec and Composite Analogue Video |
| Analogue Video Output | 1V pk to pk, 75Ω |
| Scanning | PAL or NTSC |
| PRODUCT FEATURES | |
| Focus/Iris | Auto/Manual |
| Presets | 360 |
| Tours | 4 (max 90 presets per tour) |
| Learned Patrols | 4 mimic tours - up to 30 minutes duration each |
| Privacy Zones | Up to 24 |
| Variable pan speed/coverage | 0.1 - 120°/sec, 360° continuous rotation, absolute positioning |
| Variable tilt speed/coverage | 0.1 - 120°/sec, 180°, absolute positioning |
| Auto Homing | Goes to preset, tour or mimic tour after prescribed time |
| Col/Mono Changeover | 4 levels - 3 fixed, 1 custom/user defined |
| Operating temperature | -50°C to +65°C with optional heater |
| Power | 28-36VDC |
| Mounting options | Wall, Corner, Pole and Soffit |
| Certification | UKCA, CE & FCC approval: Ingress IP68: Impact IK10 : vibration & shock certified approvals. Independent power certification and Elexon Charge Codes available |
| ILLUMINATION | |
| DL4 | 500 metre (Wide and Narrow) 850nm IR |
| DL5 | 600 metre (Wide and Spot) 850nm IR |
| WEIGHTS | |
| Predator (No LED's) | 7.5kg |
| Predator (Dual Long Range) | 8.5kg |

| CODEC | 25/50fps | ASPECT | 30/60fps |
|------------------------|--|--------|-----------|
| 1080P | 1920x1080 | 16:9 | 1920x1080 |
| 720P | 1280x720 | 16:9 | 1280x720 |
| 576P | 1024x576 | 16:9 | 1024x576 |
| 480P | 720x480 | 3:2 | 720x480 |
| 240P | 320x240 | 4:3 | 320x240 |
| D1 | 720x576 | 4:3 | 720x480 |
| VGA | 640x480 | 4:3 | 640x480 |
| SXGA* | 1280x1024 | 5:4 | 1280x1024 |
| XGA* | 1024x768 | 4:3 | 1024x768 |
| QVGA | 320x240 | 4:3 | 320x240 |
| Distribution* | Multi Streaming Codec, 2 independently configurable profiles | | |
| Image Compression | H.264, MJPEG, H.265 | | |
| Protocols | TCP/IP, IPv4, ONVIF (S), 802.1x, MD5, TLS, PEAP, HTTP, HTTPS, RTP, RTSP, RTSP over HTTPS, 360SDK, QoS, IGMP v3, SNMP v3, NTP, FTP, Digest Authentication | | |
| Compression levels | CBR, VBR | | |
| Standard Paint Options | RAL | | |
| Black | 9005 | | |
| White | 9003 | | |
| Traffic Grey | 7042 | | |

*some restrictions apply

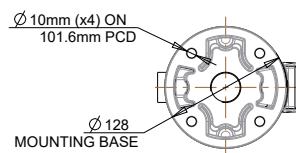
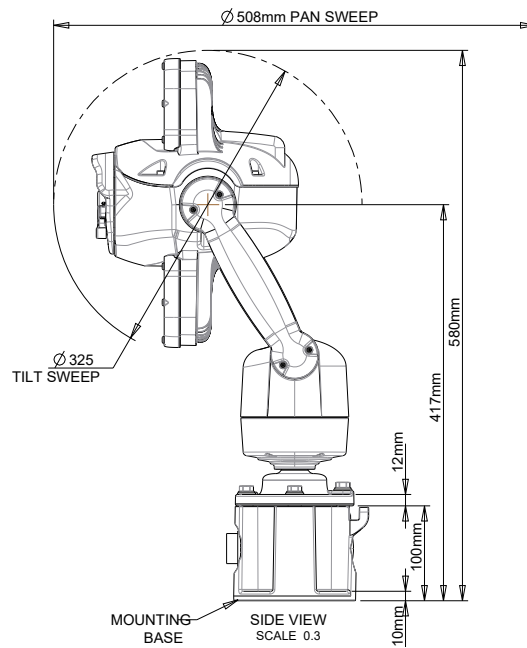
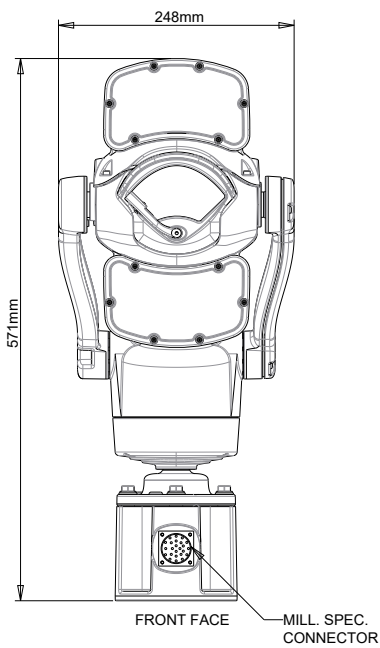
Mil Spec Connector Base Option:



Predator can now be supplied with an integrated Highways compliant MIL Spec connector (MIL-DTL-26482 Series 2)

All trademarks are used courtesy of registered owners. PREDATOR ULTRA is a registered trademark of 360 Vision Technology Ltd. The manufacturer reserves the right to change specifications without notice.

Predator Ultra PTZ Camera for Highways Dimensions



All trademarks are used courtesy of registered owners. PREDATOR ULTRA PTZ CAMERA is a registered trademark of 360 Vision Technology Ltd. The manufacturer reserves the right to change specifications without notice.

360 Vision Technology Ltd

Unit 7 Seymour Court, Manor Park,
Runcorn, Cheshire WA7 1SY UK

T: +44 (0)1928 570000

info@360visiontechnology.com

www.360visiontechnology.com

