



Product Brochure

ECLIPSE TC STAINLESS STEEL





ECLIPSE TC STAINLESS STEEL



UK Manufacture
Designed and manufactured in the UK

Warranty
3 years FULL manufacturers warranty

IP68 Certification
IP68 certified for a wide range of external environments

Thermal Camera Options
The Eclipse Thermal cameras are Uncooled Vanadium Oxide (VOx) Microbolometer. The range includes 2 Thermal camera resolution options: 640 x 480 or 336 x 256 pixel resolution

Thermal Lens Options
9mm, 13mm, 19mm, 25mm, 35mm, 50mm, 60mm or 100mm lens options

Athermalised Lens
Athermalised lenses remain in focus over any distance without the need for adjustments during installation, no matter what the environmental temperature

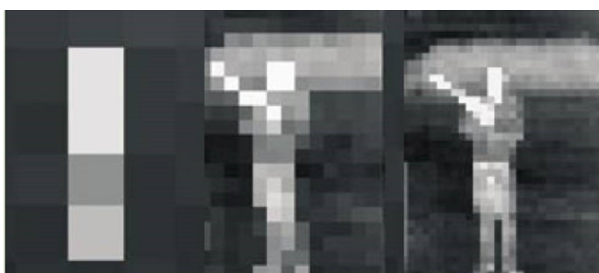
Excellent Build Quality
Excellence in Design and Manufacture ensure all 360 Vision products offer exceptional quality combined with ultra reliability

Housing Bracket
Cable Managed Housing Bracket with 1 metre cables

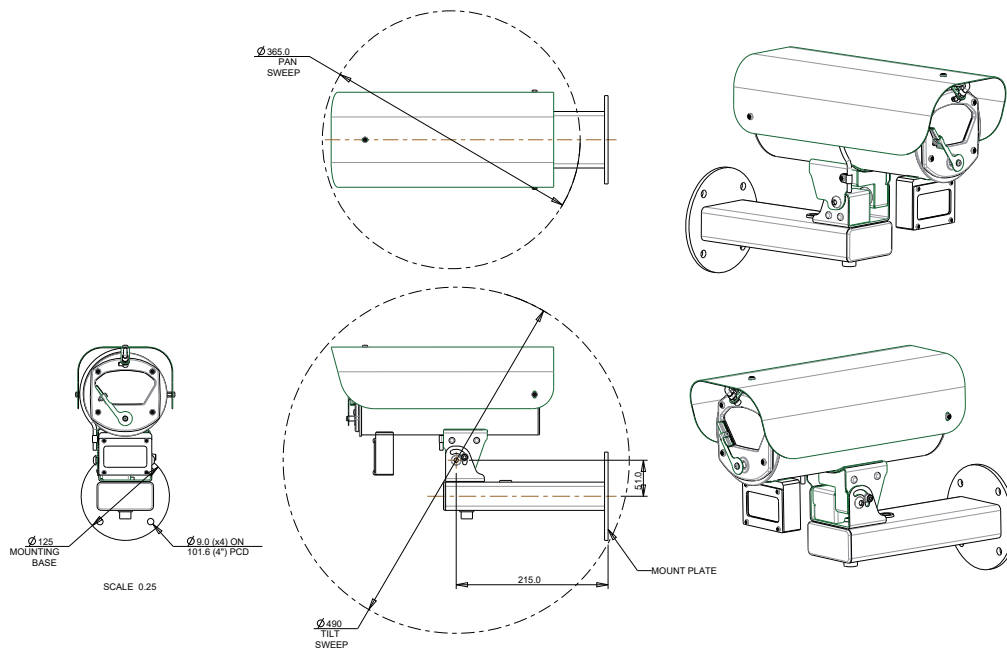
Digital Detail Enhancement
The Eclipse range have advanced camera software with Digital Detail Enhancements to deliver sharp images without the need for 'set up' adjustments to provide high quality Thermal Imaging in any night or daytime environmental conditions

High Contrast Images
The Eclipse Range delivers high contrast picture detail which is optimized to work seamlessly with 360 Vision's video analytic systems.

Protocols
ONVIF 'S' compliant or 360SDK, see our web site for the many compatible VMS systems.



PRODUCT SPECIFICATION	ECLIPSE 640	ECLIPSE 336						
Thermal Imager	Uncooled VOx Microbolometer							
FPA/Digital Video Display	640 x 512	336 x 256						
Pixel Pitch	17µm							
Spectral Band	7.5 - 13.5µm							
Full Frame Rates	25Hz (PAL)	25/50Hz(PAL)						
Exportable Frame Rates	8.3Hz(PAL)							
Sensitivity (NETD)	<50mK at f/1.0							
Scene Range (High Gain)	-40°C to + 160°C							
Scene Range (Low Gain)	N/A	-40°C to + 550°C						
PAL/NTSC	Yes							
Image Optimization	Yes							
Digital Detail Enhancement	Yes							
Polarity Control (Black/White Hot)	Yes							
Colour & Monochrome Palletes (LUTs)	Yes							
Operating Temperature	-40°C to + 80°C							
Weight	7.2kg							
Power	24vac/30vdc							
Certification	Ingress IP68							
CODEC	25fps	ASPECT			30fps			
D1	720x576	4:3			720x480			
VGA	640x480	4:3			640x480			
QVGA	432x240	16:9			432x240			
Distribution	Multi Codec 2 streams							
Image Compression	H.264, MPEG4, MJPEG							
Protocols	ONVIF (S), TCP/IP, HTTP, RTP, RTSP, 360SDK							
Compression levels	CBR, VBR CVBR							
THERMAL CAMERA (HFoV)	9mm	13mm	19mm	25mm	35mm	50mm	60mm	100mm
336	35°	25°	17°	13°	9.3°	6.5°	5.5°	3.3°
640	69°	45°	32°	25°	18°	12.4°	10.4°	6.2°



All trademarks are used courtesy of registered owners. ECLIPSE TC Stainless Steel is a registered trademark of 360 Vision Technology Ltd. The manufacturer reserves the right to change specifications without notice.



360 Vision Technology Ltd

Unit 7 Seymour Court Manor Park Runcorn Cheshire WA7 1SY UK

Tel: +44 (0)870 903 3601 Fax: +44 (0)870 903 3602

info@360visiontechnology.com

www.360visiontechnology.com





360VISION
TECHNOLOGY