



Product Brochure

ECLIPSE HD STAINLESS STEEL





Product Brochure

ECLIPSE HD STAINLESS STEEL



High Definition Camera

UK Manufacture

Designed and Manufactured in the UK.

Paint Colour Options

Any colour; any quantity.

Protocols

ONVIF 'S' compliant or 360SDK, see our web site for the many compatible VMS systems.

Sirius Lamps

Full range of Dual IR & White Light options. Up to 60 metres of IR lighting and up to 60 metres of white light giving 'COLOUR VIDEO at NIGHT'. Sirius illumination combines narrow, medium and wide angle lenses to give a wide range of light spread (from 9° to 45°). Choice of standard IR 850nm or covert 940nm available.

Wash/Wipe

Includes integrated Wiper and also Washer Nozzle and Relay for connecting to industry standard Washer Pump solutions *pump, bottle and tubing not included

Stainless Steel Material

Stainless Steel 316L.

IP68 Certification

IP68 certified for the harshest environments.

360 Enhanced Low Light cameras

360 Enhanced low light cameras with mono video images as low as 0.0008 lux (no illumination)

Built in EDGE recording option - 128 or 256Gb Storage on board

Continuous/FTP Upload/Network Loss/Alarm Scheduled recording option to On Board Storage.

POE

Available as a POE version.

Maritime Paint

10 year maritime paint option.

Warranty

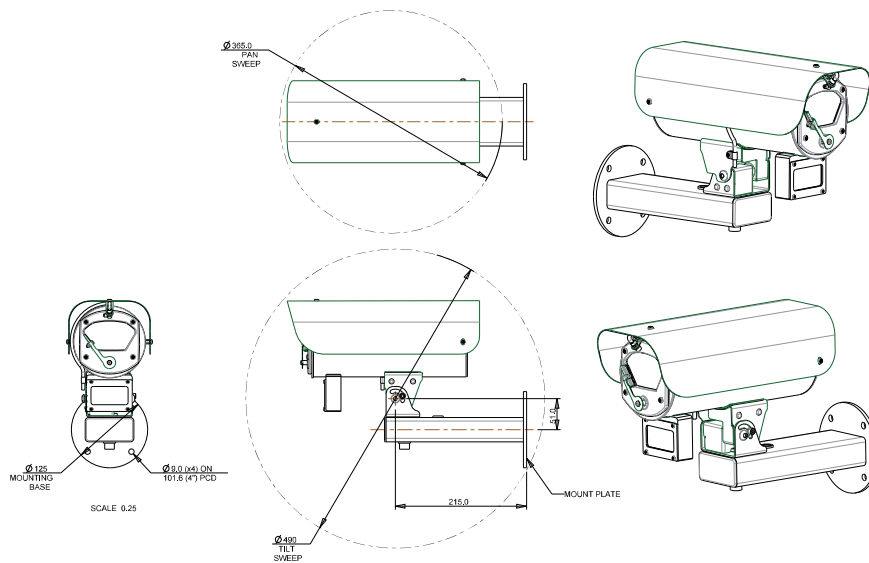
3 year warranty

Key Features

Full 1080p High Definition Camera
 360 Enhanced Low Light
 Cable Managed Bracket
 Anti-Corrosive 316L Stainless Steel
 On board LED illumination - IR or IR and White Light options
 Built in Wiper
 Washer ready Nozzle and Relay
 30x optical zoom
 2 Simultaneous Streams upto 1080p (25/30fps)
 ONVIF 2.4 Profile 'S' compliant
 IP68 Weatherproof
 Designed and Manufactured in the UK
 3 Years Manufacturers Warranty.



PRODUCT SPECIFICATION	30x HD	20x HD	30x HD ENHANCED LOW LIGHT
Colour/Mono	Yes	Yes	Yes
Imager (CMOS)	1/2.8-type Exmor	1/2.8-type Exmor R	1/2.8-type Exmor R
Zoom - Optical + Digital	30x, 12x	20x, 12x	30x, 12x
Zoom - Total	360x	240x	360x
Pixels	Approx 2.38 Megapixels	Approx 2.14 Meapixels	Approx 2.13 Megapixels
Horizontal view angle	2.3°[T] - 63.7°[W]	3.3°[T] - 59.5°[W]	2.3°[T] - 63.7°[W]
Lens Size	4.3 - 129mm	4.7 - 94mm	4.3 - 129mm
Min Sensitivity - colour	0.1 Lux	0.1 Lux	0.0013 Lux
Min Sensitivity - mono Int	0.013 Lux	0.008 Lux	0.0008 Lux
Signal Noise Ratio	>50dB	>50dB	>50dB
Picture Flip	Yes	Yes	Yes
PRODUCT FEATURES	ALL PREDATOR units have the following functions		
Focus/Iris	Auto/Manual		
Col/Mono Changeover	4 levels - 3 fixed, 1 custom/user defined		
Operating temperature	-50°C to +60°C with optional heater		
Power	24vac/30vdc		
Mounting options	Wall		
Certification	Ingress IP68		
Weight	7.2kg		
CODEC	25fps	ASPECT	30fps
HD1080p	1920x1080	16:9	1920x1080
HD720p	1280x720	16:9	1280x720
D1	720x576	4:3	720x480
VGA	640x480	4:3	640x480
QVGA	432x240	16:9	432x240
Distribution	Multi Codec 2 streams		
Image Compression	H.264, MPEG4, MJPEG		
Protocols	ONVIF (S), TCP/IP, HTTP, RTP, RTSP, 360SDK		
Compression levels	CBR, VBR CVBR		
SIRIUS ILLUMINATION	IR & WHITE LIGHT (Nominal)		
SIR60	IR 60 metres		
SIR50WL	IR 60 metres, WL 60 metres		



All trademarks are used courtesy of registered owners. ECLIPSE HD Stainless Steel is a registered trademark of 360 Vision Technology Ltd. The manufacturer reserves the right to change specifications without notice.



360 Vision Technology Ltd
 Unit 7 Seymour Court Manor Park Runcorn Cheshire WA7 1SY UK
 Tel: +44(0)1928 570000
 info@360visiontechnology.com
 www.360visiontechnology.com





360VISION
TECHNOLOGY