



Product Brochure

# SIRIUS ILLUMINATION





## Product Brochure

# SIRIUS ILLUMINATION



### Sirius



The Sirius illumination range has been developed to offer high intensity, low power consumption & long life LED illumination to today's demanding need for High Definition and Analogue CCTV cameras to provide quality images at night.

With High Definition cameras now offering higher resolution, the need for increased lighting at night, as well as increased distance to match the camera's capabilities is now of paramount importance. Lack of illumination leads to increased noise in the camera image, which in turn also leads to increased recorded storage space and poor quality images.

Sirius offers a flexible range of distance and Field of View in Infra Red only, White Light only and also our combined Infra Red and White Light units.

Allowing control via photocell or via manual/alarm inputs, Sirius can be manually or automatically switched on and off.

#### UK Manufacture

Designed and Manufactured in the UK.

#### Sirius Illumination

Ultra High Intensity IR LED's fitted with a range of wide, medium and narrow angle lenses to give illumination from 50 to 140 metres.

#### SIRIUS Illumination: IR and White Light

IR and White Light option for up to 90 metres of IR or white light giving 'COLOUR VIDEO at NIGHT'.

#### SIRIUS Long Range Illumination

SIRIUS Long Range illumination features high intensity LED's providing IR lighting up to an industry leading 400 metres.

#### Alarm Control

SIRIUS Illumination can switch between the IR and white light via a simple alarm input.

#### Light Sensor

All Sirius illumination options have a built in light sensor.

#### Variable Light Control

All Sirius illumination options feature variable light control to suit a wide range of applications.

#### IP67 Certification

IP67 certified for the harshest environments.

#### Quality Standard

Excellence in design and manufacture ensure all 360 Vision products offer exceptional quality combined with ultra reliability.

#### Warranty

3 year warranty

#### Paint Options

Any colour available (minimum order levels apply)

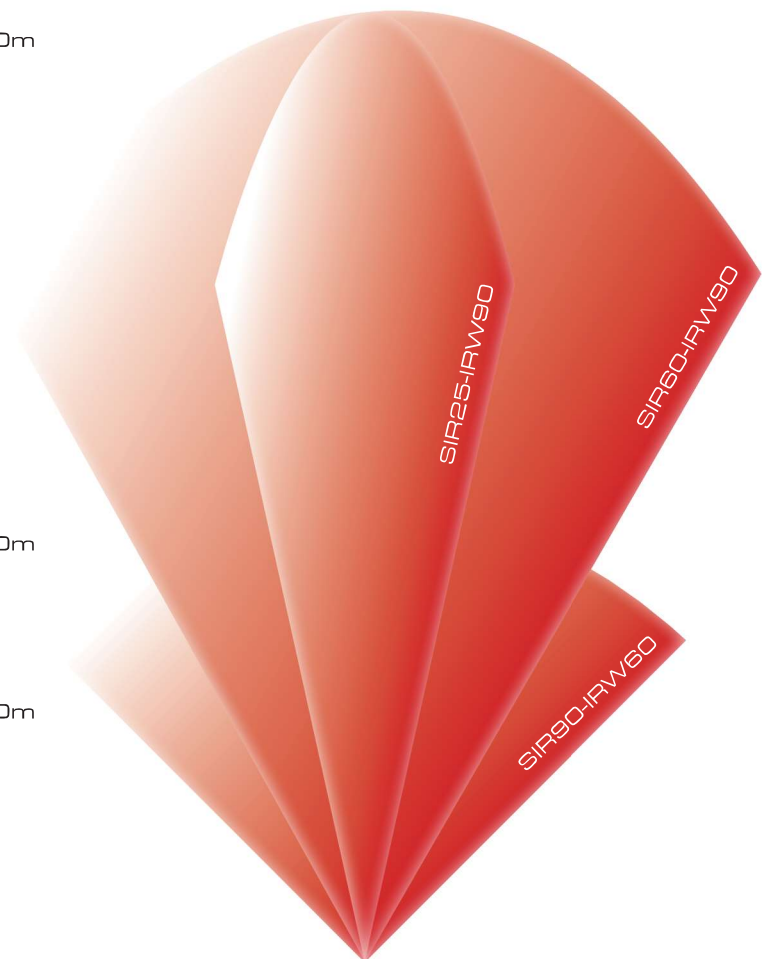
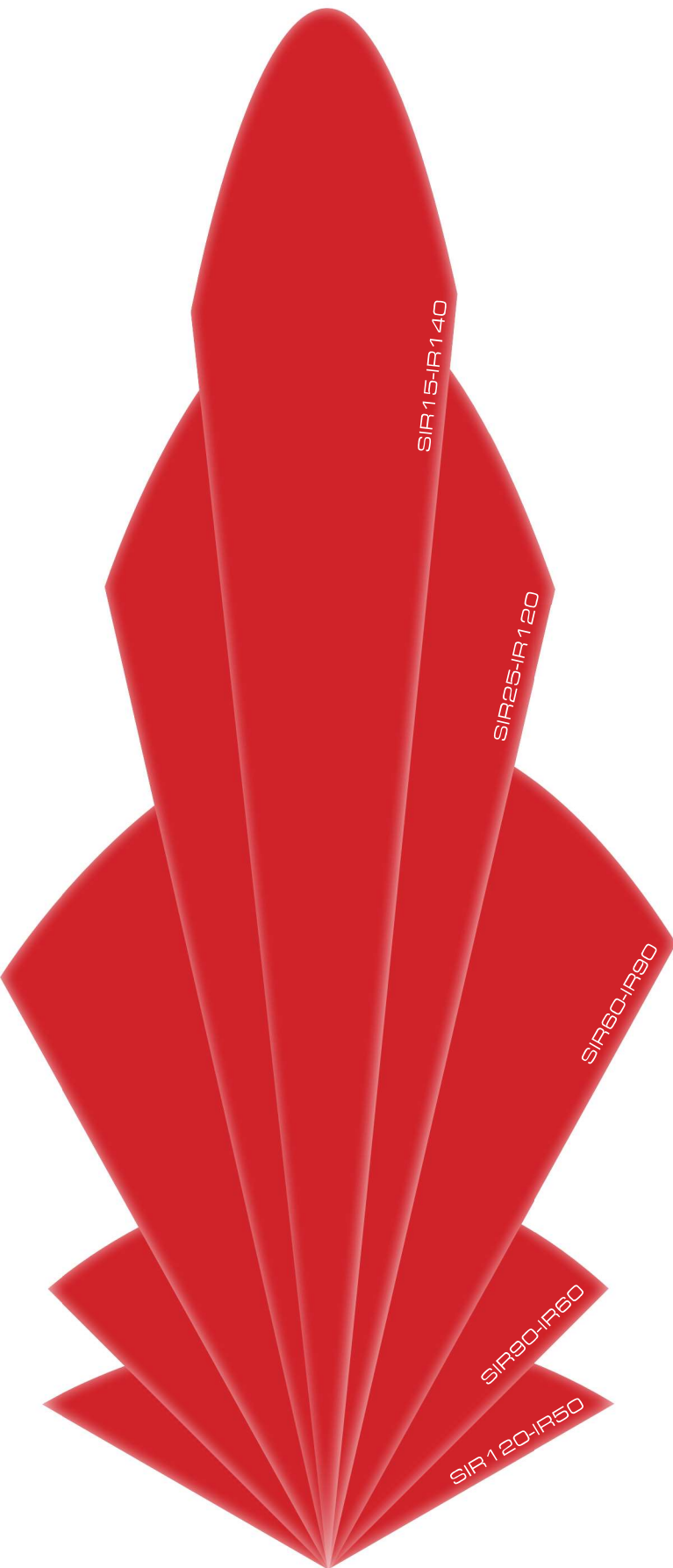
### Sirius Long Range



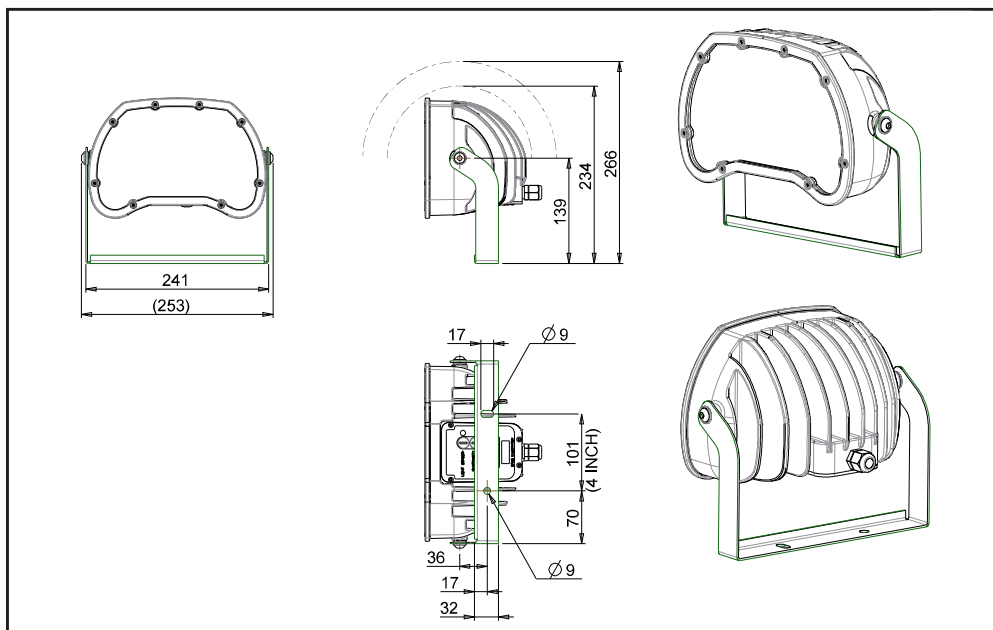
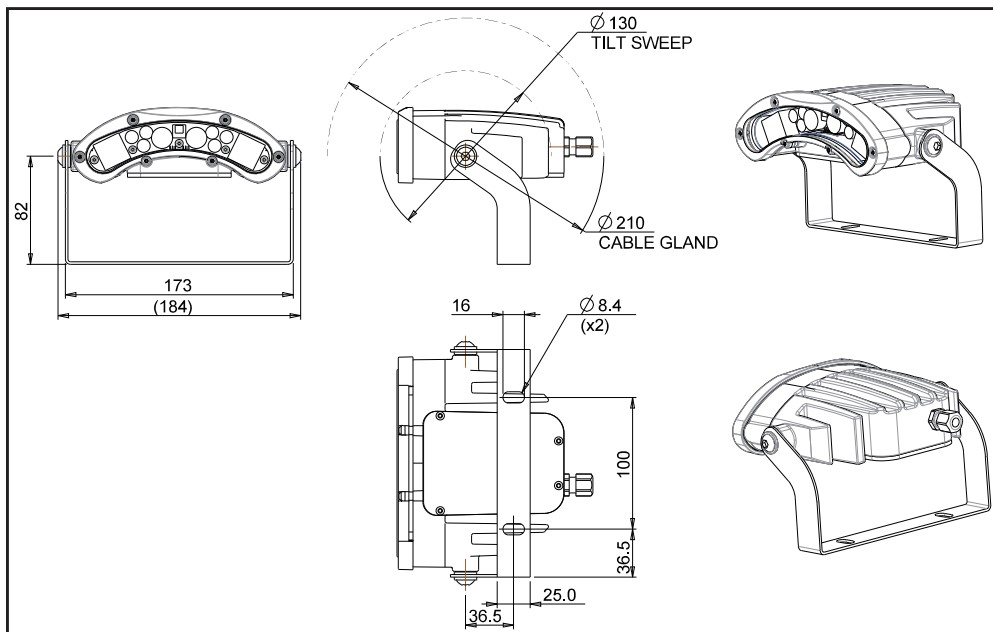
# SIRIUS ILLUMINATION BEAM PATTERN

## Custom Build

Custom builds available for distance and angles.



SIRIUS IR POWER	ANGLE	Recommended PSU	DIMENSIONS	
SIR120-IR50	120°	SIR-PSU	SIRIUS	175w x 55h x 125d [mm]
SIR90-IR60	90°	SIR-PSU	SIRIUS LONG RANGE	240w x 150h x 130d [mm]
SIR60-IR90	60°	SIR-PSU	WEIGHT	
SIR25-IR120	25°	SIR-PSU	SIRIUS	1.25kg
SIR15-IR140	15°	SIR-PSU	SIRIUS LONG RANGE	3.2kg
SIRIUS IR & WL POWER			PAINT FINISH	RAL
SIR90-IRW60	90°	SIR-PSU	WHITE	9003
SIR60-IRW90	60°	SIR-PSU	POWER	
SIR25-IRW90	25°	SIR-PSU	VOLTAGE	24Vac/dc
SIRIUS LONG RANGE POWER				
SIRLR10-IR300	10°	SIRLR-PSU		
SIRLR5-IR400	5°	SIRLR-PSU		



All trademarks are used courtesy of registered owners. SIRIUS is a registered trademark of 360 Vision Technology Ltd. The manufacturer reserves the right to change specifications without notice.



**360 Vision Technology Ltd**  
 Unit 7 Seymour Court Manor Park Runcorn Cheshire WA7 1SY UK  
 Tel: +44(0)1928 570000  
 info@360visiontechnology.com  
 www.360visiontechnology.com

