



Affiniti HD

Installation/Configuration Manual



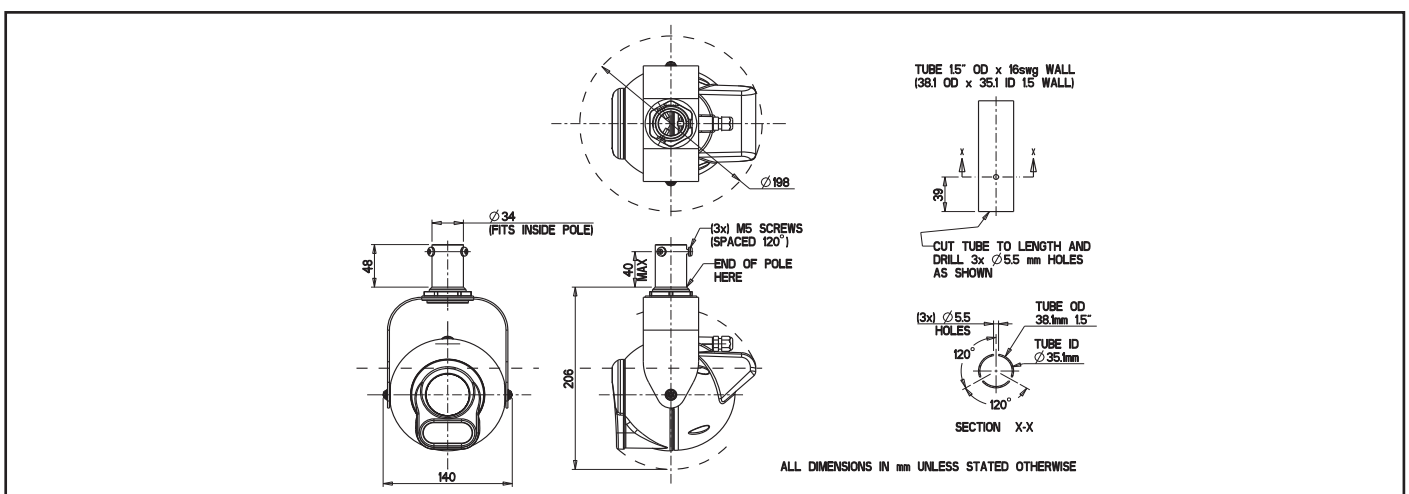
Table of Contents

1 Safety and Precautions	3
2 Housing Dimensional Drawing	3
3 Connections	5
3.1 RJ45 connections.....	5
3.2 PSU connections.....	6
4 Locating the Affiniti HD on your Network.....	7
5 Connecting to the Affiniti HD	7
5.1 Live View	9
5.1.1 Live Video	9
5.1.2 Status.....	10
5.2 Settings	12
5.2.1 Video	12
5.2.2 Video Advanced	13
5.2.3 Advanced Features	14
5.2.4 Camera	16
5.2.5 Date/Time.....	18
5.2.6 Network.....	19
5.2.7 Interfaces	20
5.3 Add/Edit Users	21
5.4 Maintenance.....	22
5.5 Browser	24
6 Special Presets	25
7 Network Settings Recovery.....	25
8 Important - Care of Painted Surfaces.....	25
9 Storage and Handling.....	26
10 Warranty.....	26
11 White Balance options.....	26
12 Fast Shutter options	26
13 Stream Resolutions & RTSP links.....	27

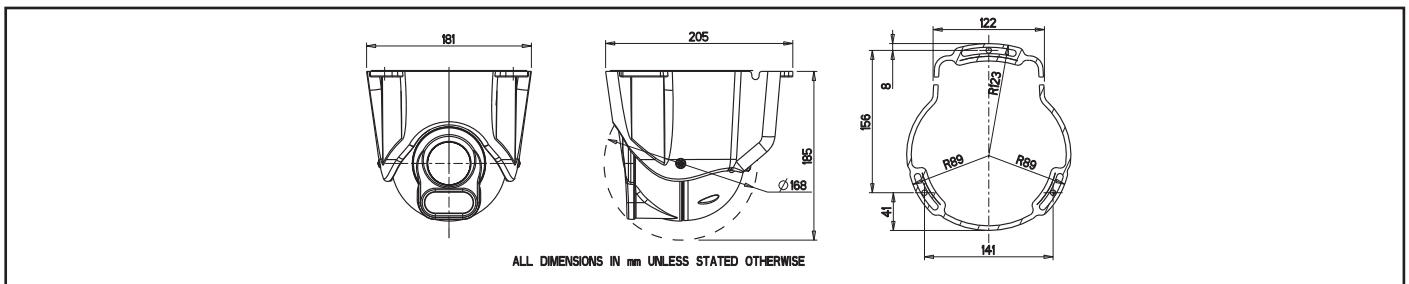
1 Safety and Precautions

1. DO NOT disassemble or remove screws. This will break the water seals and invalidate the warranty.
- 2 Please read these notes before attempting to operate the 360 Vision Affiniti HD, and keep for future reference.
3. All servicing and repairs must be handled by 360 Vision Technology.
4. Avoid pointing the camera directly towards a bright light source (sunlight), or expose the camera to intensive light situations as this may damage the camera pick-up device.
5. Installation should be carried out by suitably qualified personnel, in accordance with local codes of practice and regulations.
6. 360 Vision Technology Limited accept no liability for any damage caused by incorrect or improper installation.

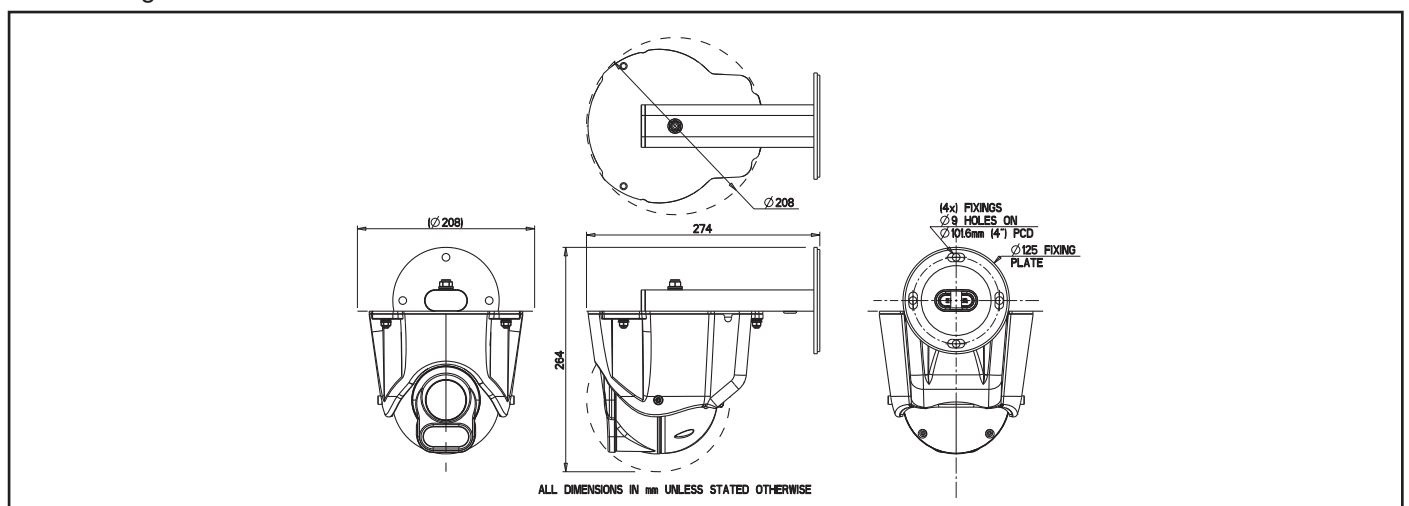
2 Housing Dimensional Drawing



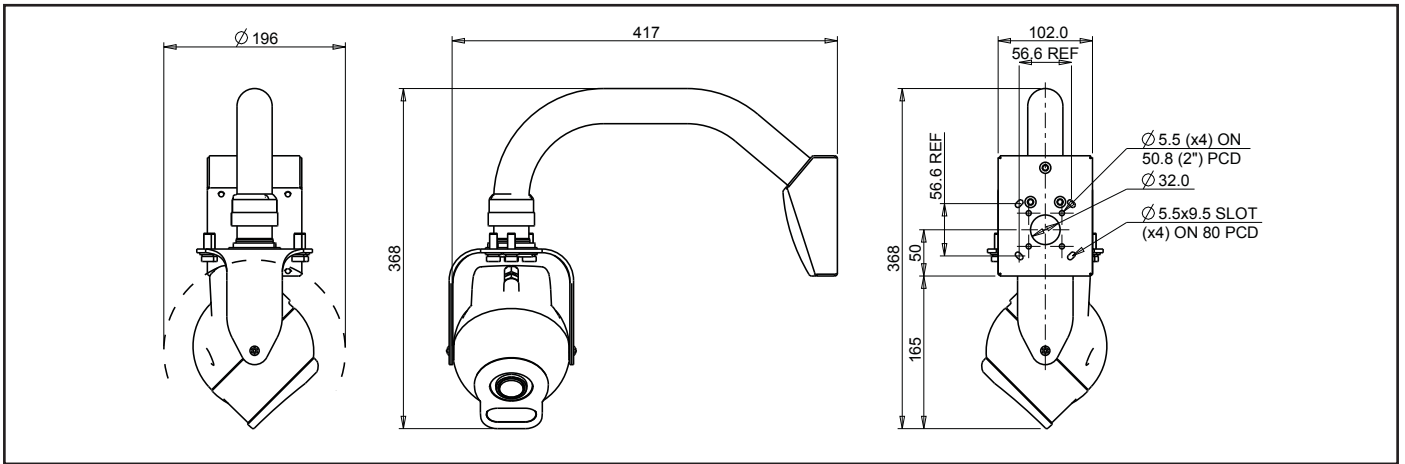
Pole Mount



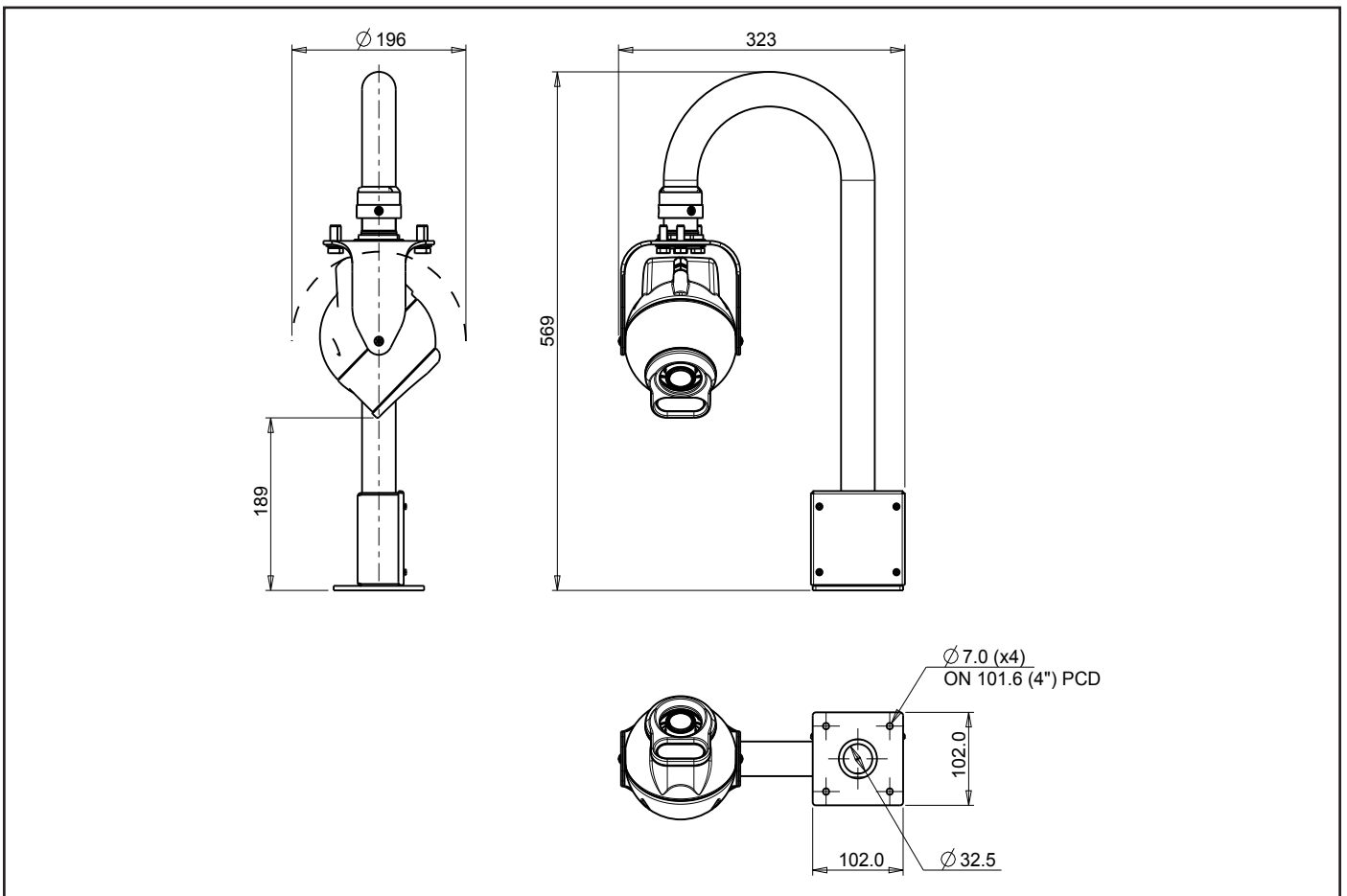
Soffit/Ceiling Mount



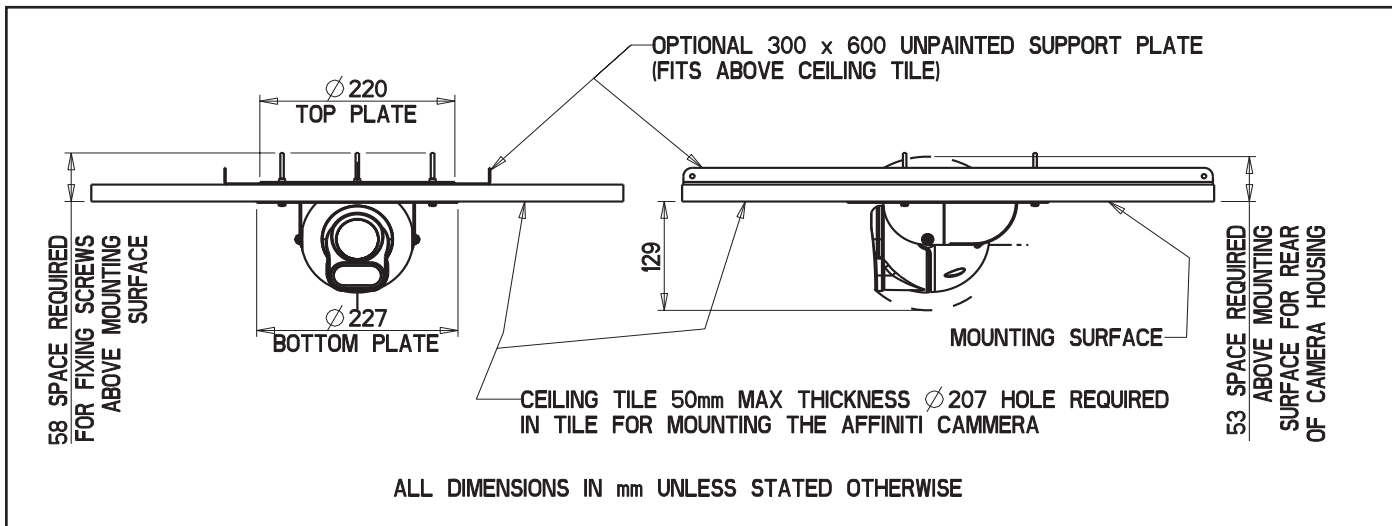
Wall Mount



Wall Mount



Swan Neck/Pole mount

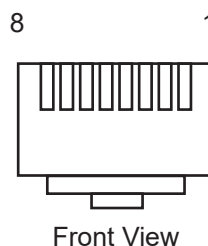
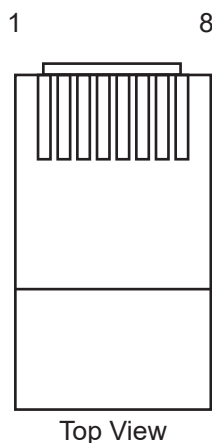


False Ceiling Mount

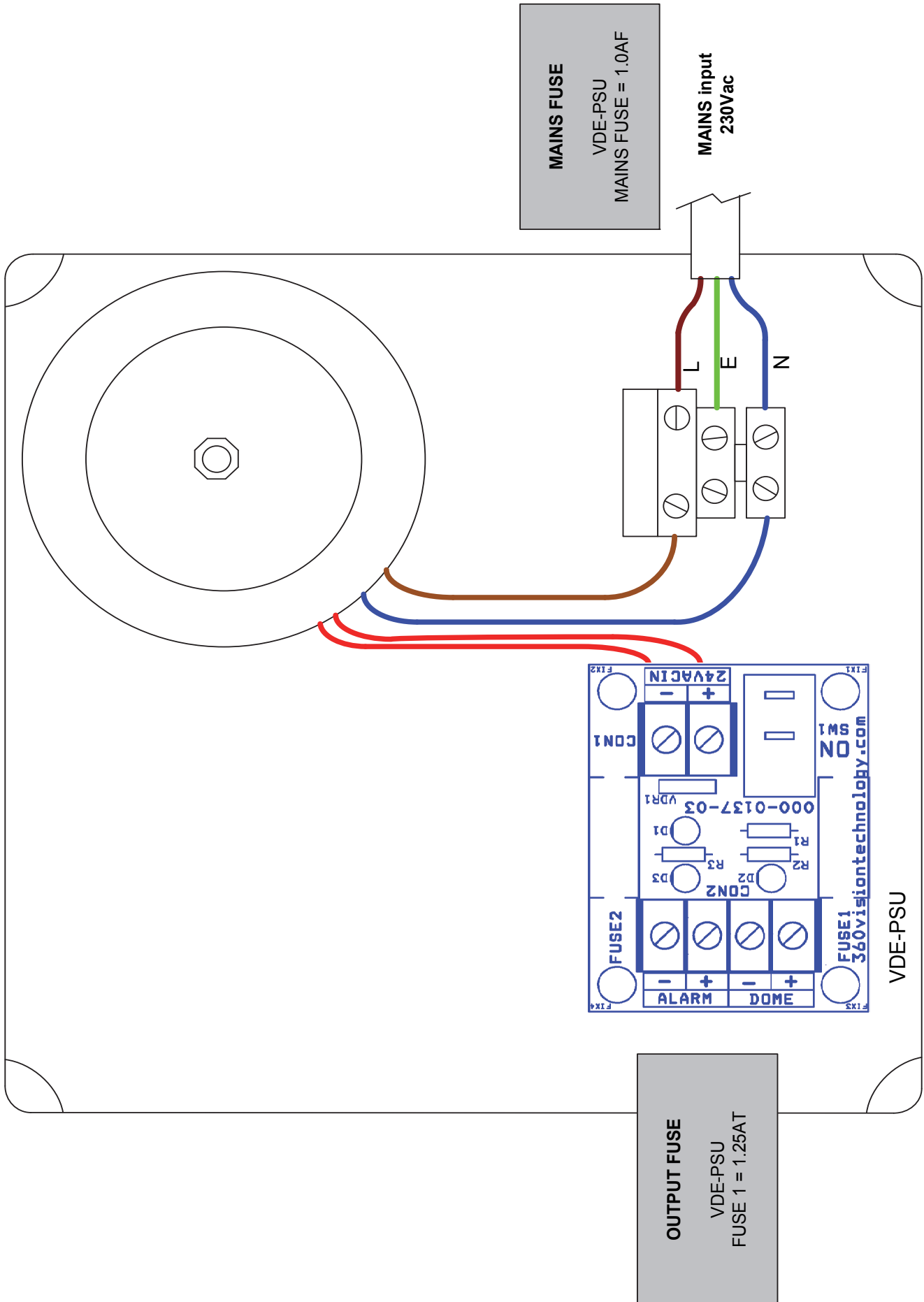
3 Connections

3.1 RJ45 connections

RJ45	CAT5, CAT5e, CAT6 Cable	Signal
Pin 1	White with Orange Band	Tx+
Pin 2	Orange	Tx-
Pin 3	White with Green Band	Rx+
Pin 4	Blue	
Pin 5	White with Blue Band	
Pin 6	Green	Rx-
Pin 7	White with Brown Band	
Pin 8	Brown	



3.2 PSU connections



Affiniti-HD Configuration

4 Locating the Affiniti HD on your Network

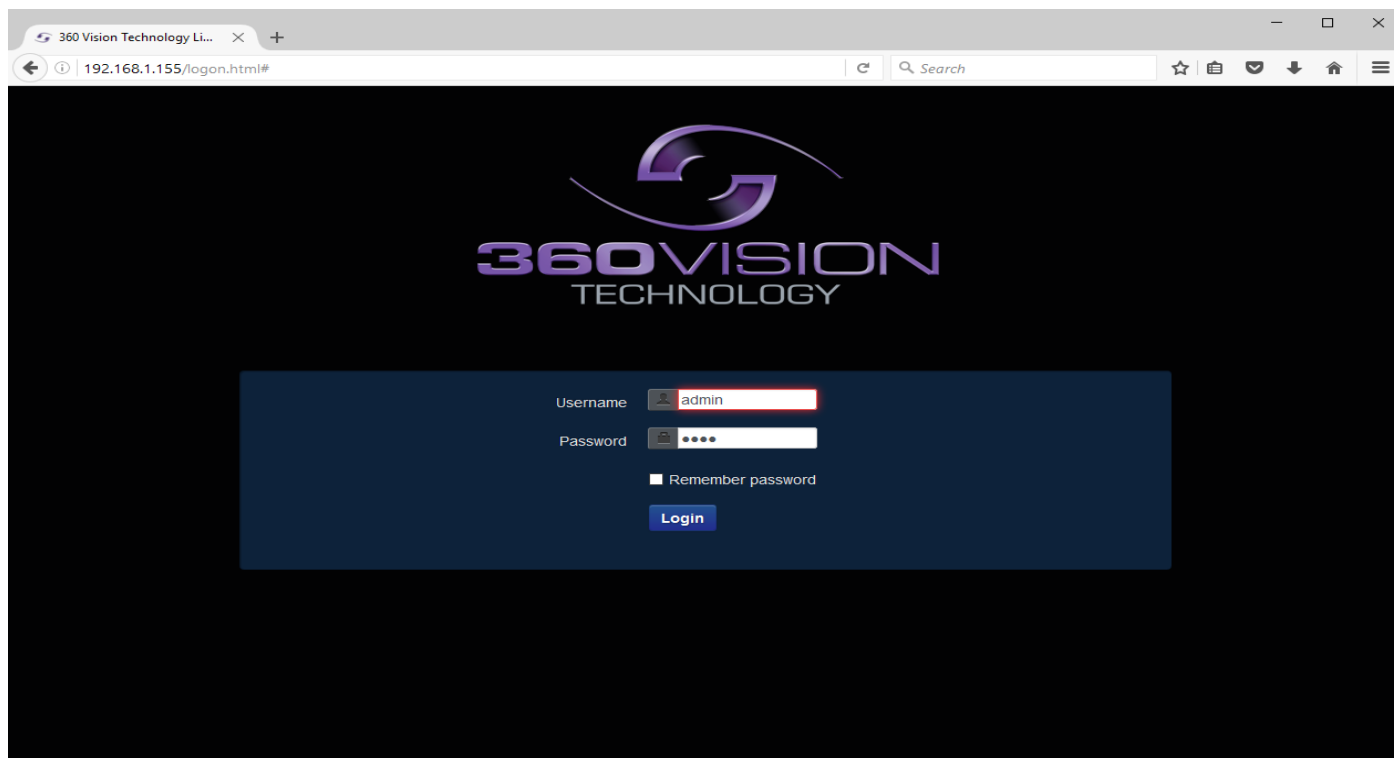
Default IP Address	192.168.1.187
Subnet	255.255.255.0
Gateway	192.168.1.4

Using the DVR management software, 'Onvif Device Manager' or 360 Vision Discovery Tool (which can be found on the CD supplied or from the 360 Vision Technology technical support) to find the IP address of the Affiniti HD. Note the ports used by the Affiniti HD are:-

Protocol	Port
ONVIF/HTTP	80 TCP
RTCP Stream 1	6971 TCP/UDP
RTP Stream 1	6970 TCP/UDP
RTCP Stream 2	6973 TCP/UDP
RTP Stream 2	6972 TCP/UDP
RTSP	554 TCP
360 SDK	3600 TCP

5 Connecting to the Affiniti HD

Type in the IP address of the Affiniti-HD into the address bar of Internet browser and install the plug-ins as required. The web page of the camera will then appear.



Affiniti HD Web Page Login screen

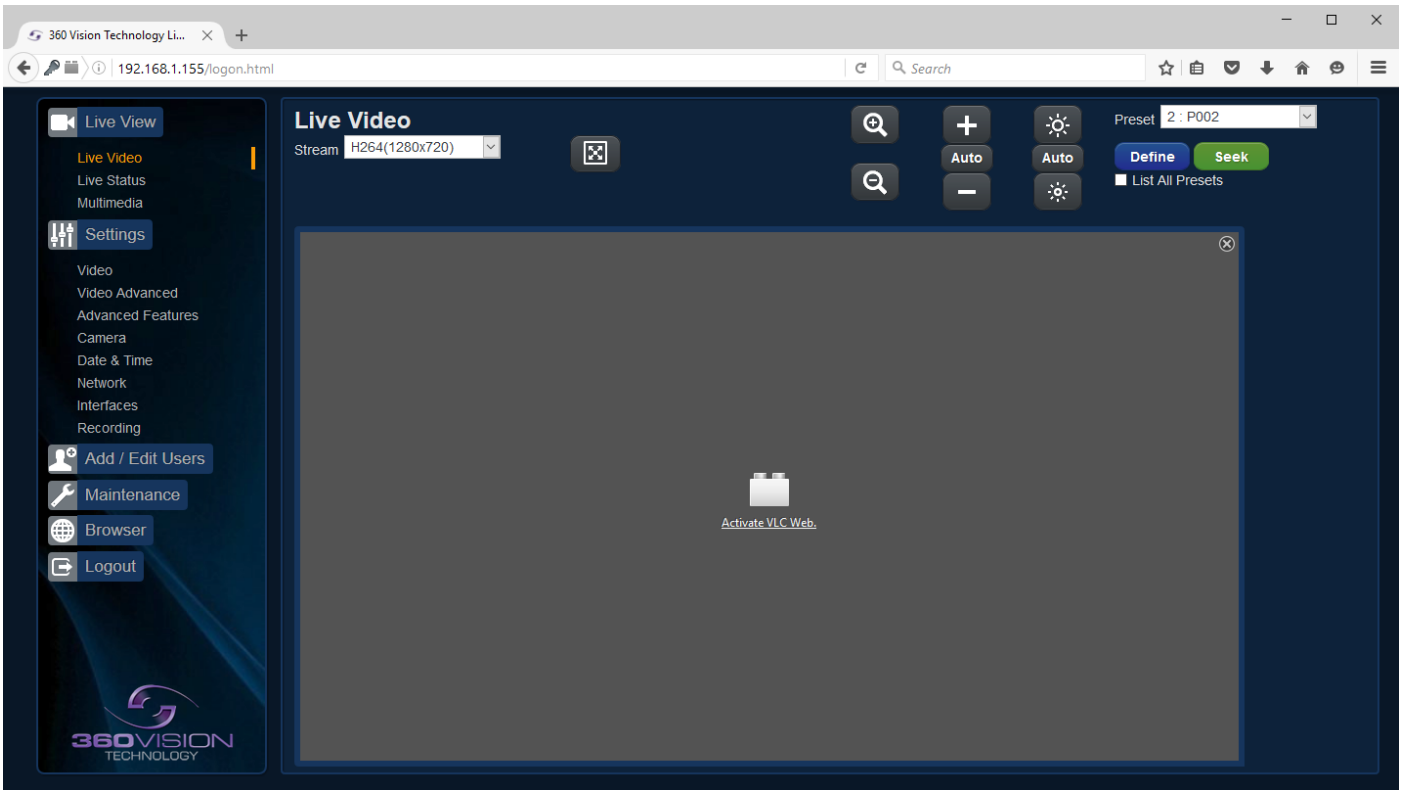
Enter the User Name (default is **admin**)
Enter the Password (default is **9999**)

If you select the box 'Remember Password' it could compromise the security of the Affiniti HD camera.

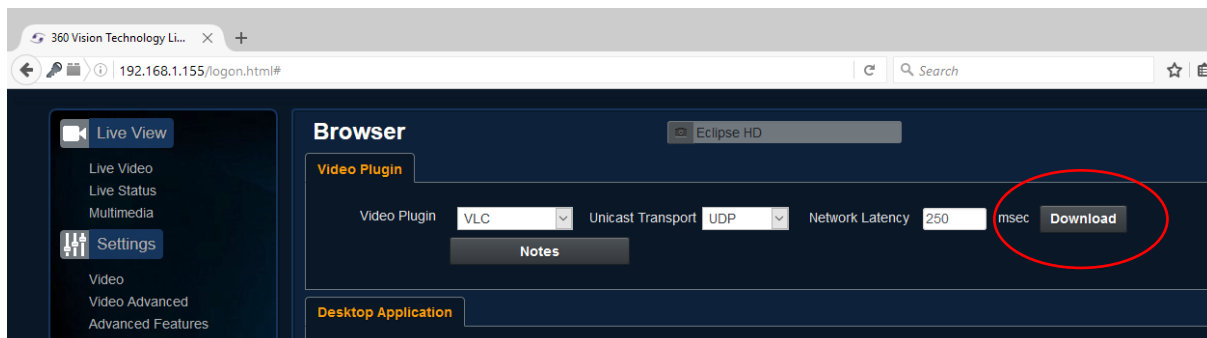
Select Submit



The camera web page uses VLC as the video player.



VLC video plugin file can be downloaded from the camera if it is not installed on the connecting PC/laptop
(See Browser - page 24)

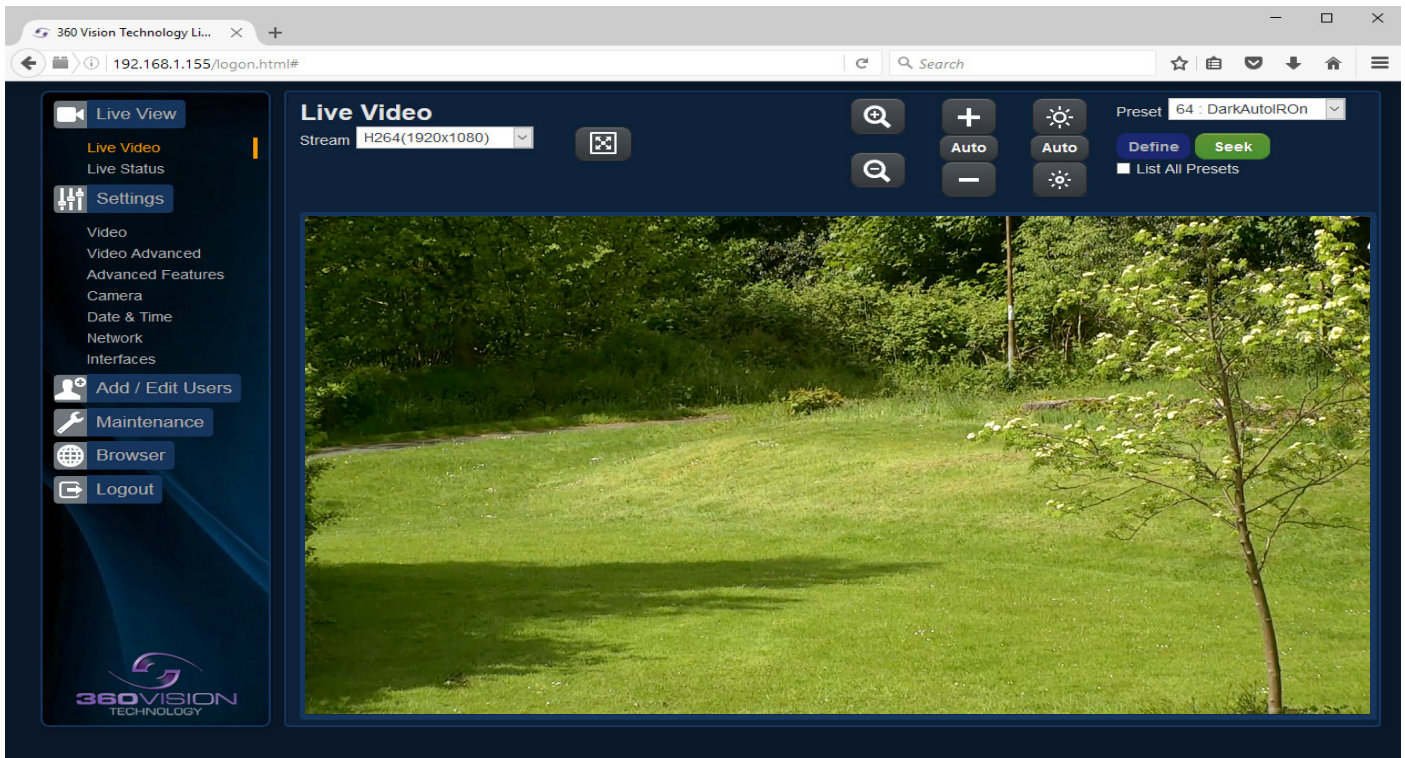


There are six main tabs on the left of the web page/screen.

- 1 Live View
- 2 Settings
- 3 Add/Edit Users
- 4 Maintenance
- 5 Browser
- 6 Logout

5.1 Live View

5.1.1 Live Video

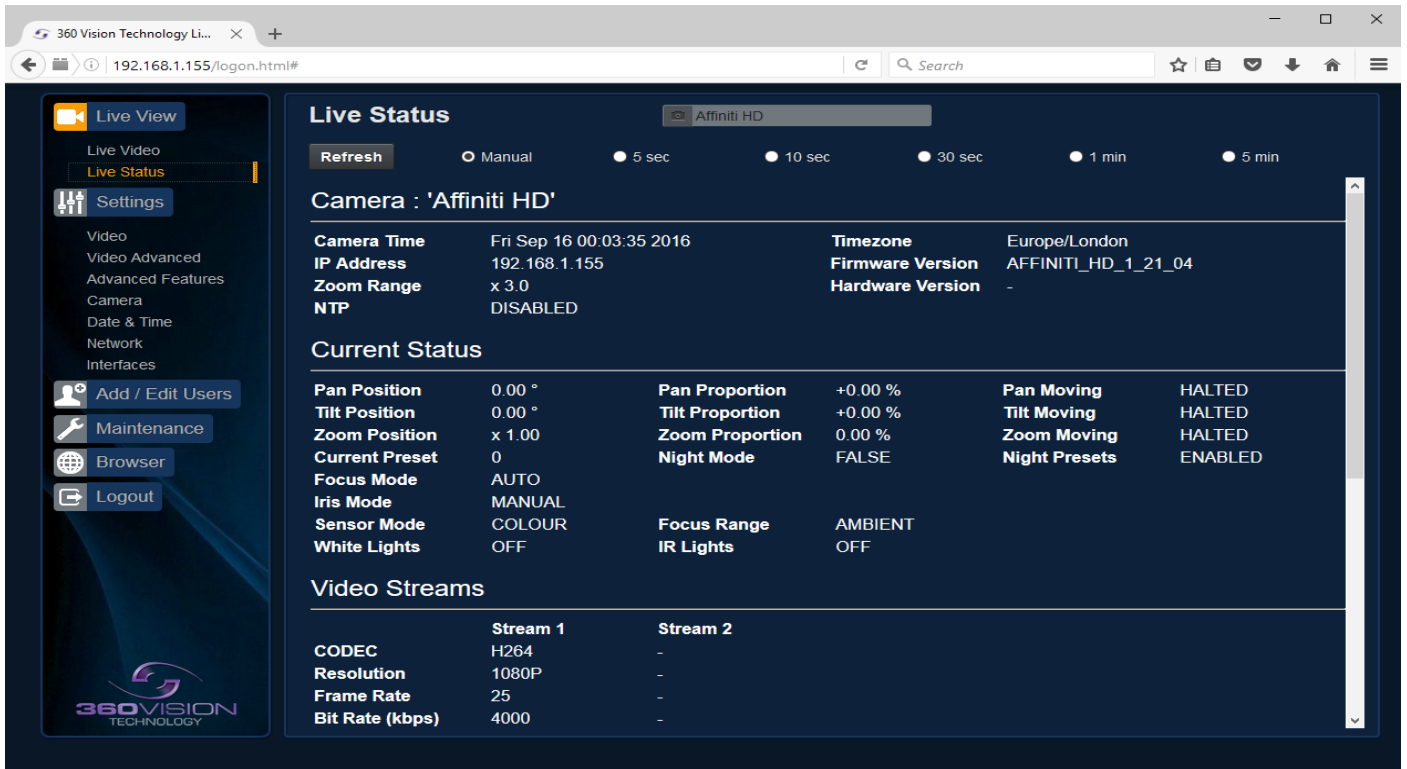


The Live Video page offers options to:-

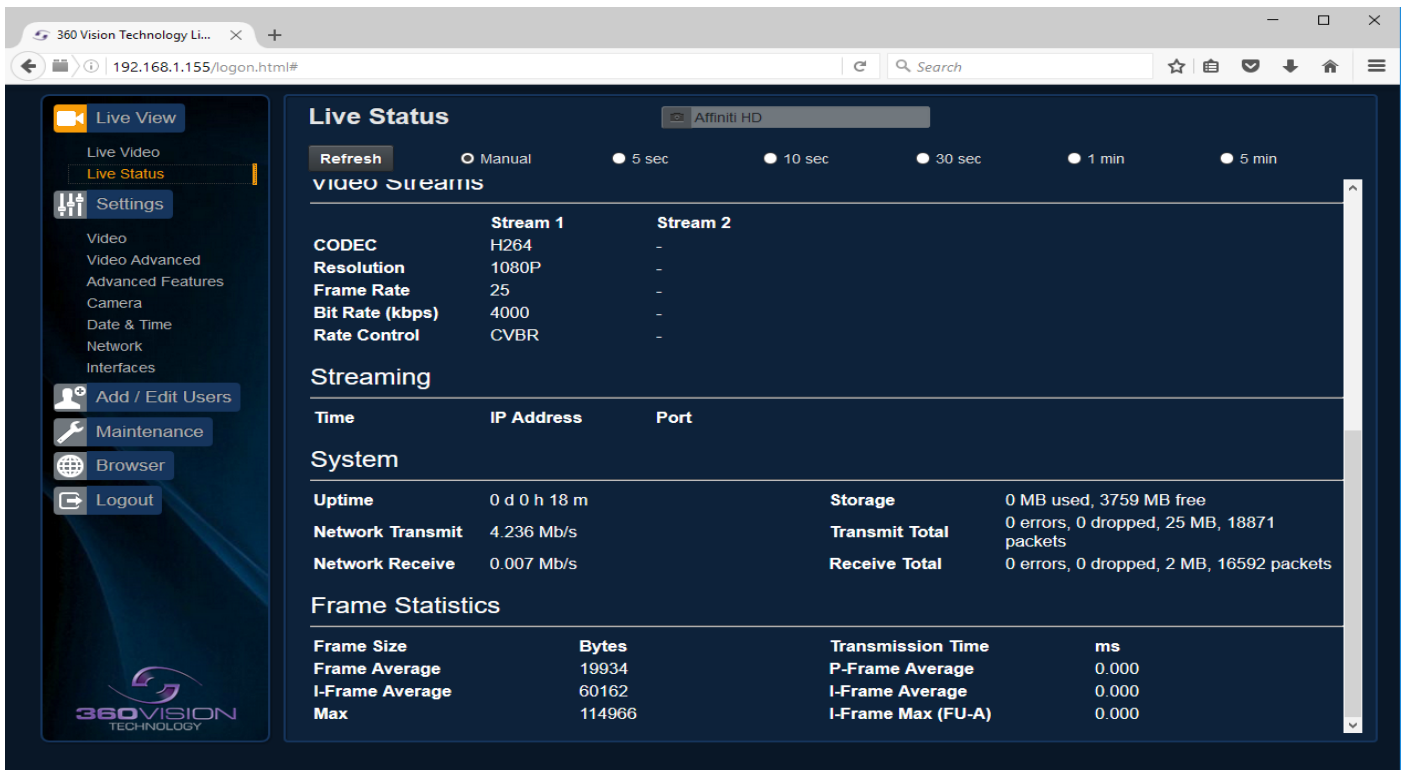
- Stream - Choose required stream from drop down selection.
- 1x Display - Use to show selected stream as full screen.
- Zoom In/Out - This will operate the optical and digital zoom (if digital zoom is enabled).
(See *Camera - Digital Zoom - page 16*)
- Focus +/-/Auto - This will operate the manual focus near, far or automatically focus as required.
(See *Camera - AF AI when PTZ - page 16*)
- Iris +/-/Auto - This will operate the manual iris open, close or automatic as required.
(See *Camera - AF AI when PTZ - page 16*)
- Preset Seek/Define - This will allow admin and operator user levels to seek or define presets (Viewer user level can only seek presets). (See *Advanced Features - Presets - page 14*)
- List all Presets - Use to show all presets or programmed presets in drop down selection box.

5.1.2 Status

Status page shows information relating to the camera status.



Status page, top section.

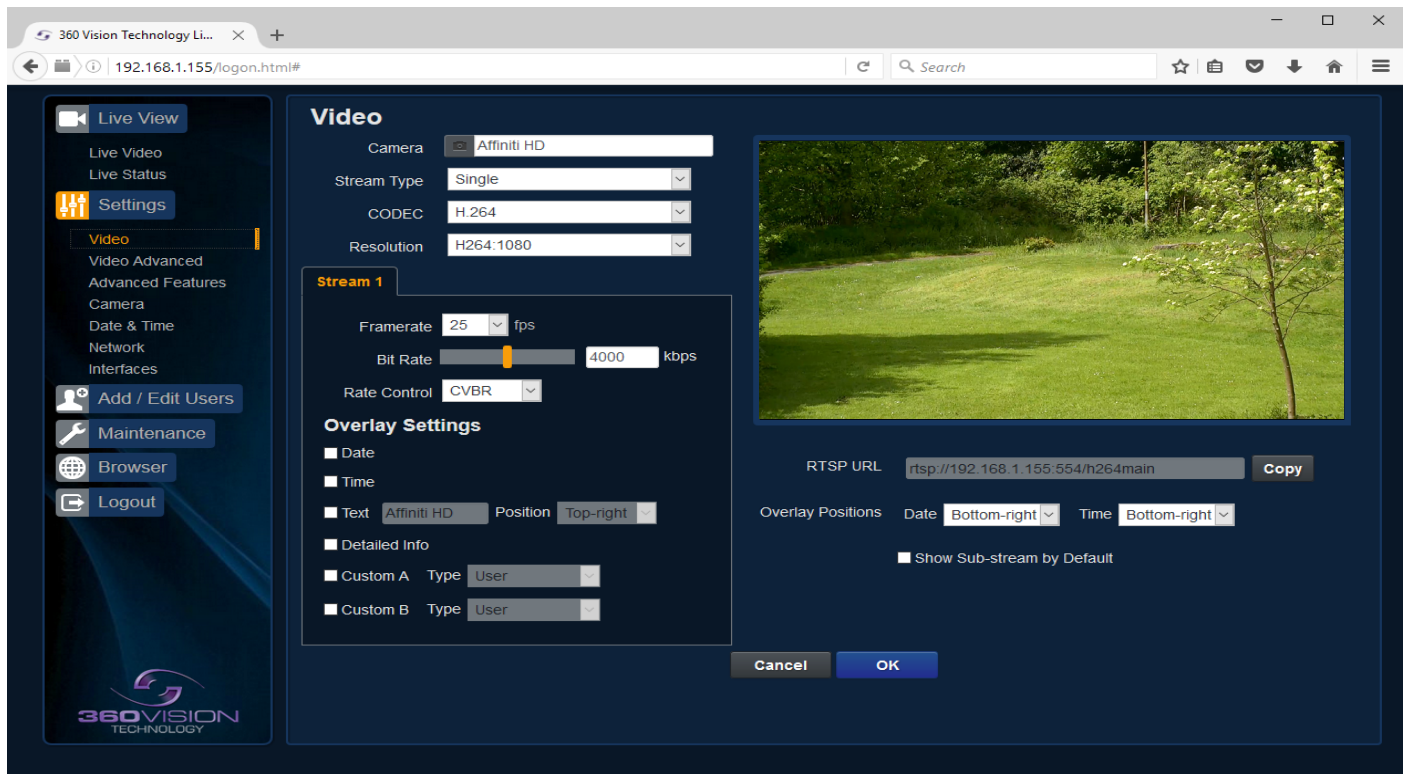


Status page, bottom section.

- Refresh - Select an automatic page refresh option.
- Camera - Shows information relating to the camera time & date settings, the version of codec and mainboard software loaded
- Current Status - Shows the camera function information, ie PTZ positions, wiper and lamp activity etc
- Video Streams - Shows the current video streams configuration.
- Streaming - Shows the IP address on the PC that is receiving the video streams.
- System - Shows how long the camera has been powered, how much bandwidth it is using etc
- Frame Statistics - Gives information about the video stream, how big the frames are, how big the I frames are, how long it is taking to transmit the frames.

5.2 Settings

5.2.1 Video



The Video page, offers options to setup:-

- Camera - Add or edit the camera name.
- Stream Type - Choice of single or dual video streams.
- Codec - Choose which compression format, the stream will use.
(See page 27 for table of options).
- Resolution - Set what resolution the stream will use. (See page 27 for table of options).

Stream Tabs, offer options to:-

- Framerate - Configure how many frames per second (fps) the stream uses.
(Also see Camera - Sensor Frame Rate - page 16).
- Bit Rate - Set the bit rate that the stream will use. Type in figure in Kbps. (E.g. 4000Kbps is 4Mbps)
- Rate Control - Configure the rate control of the stream, choices are VBR (Variable), CBR (Constant) and CVBR (Constrained Variable, limited to 8Mbps).

Overlay options

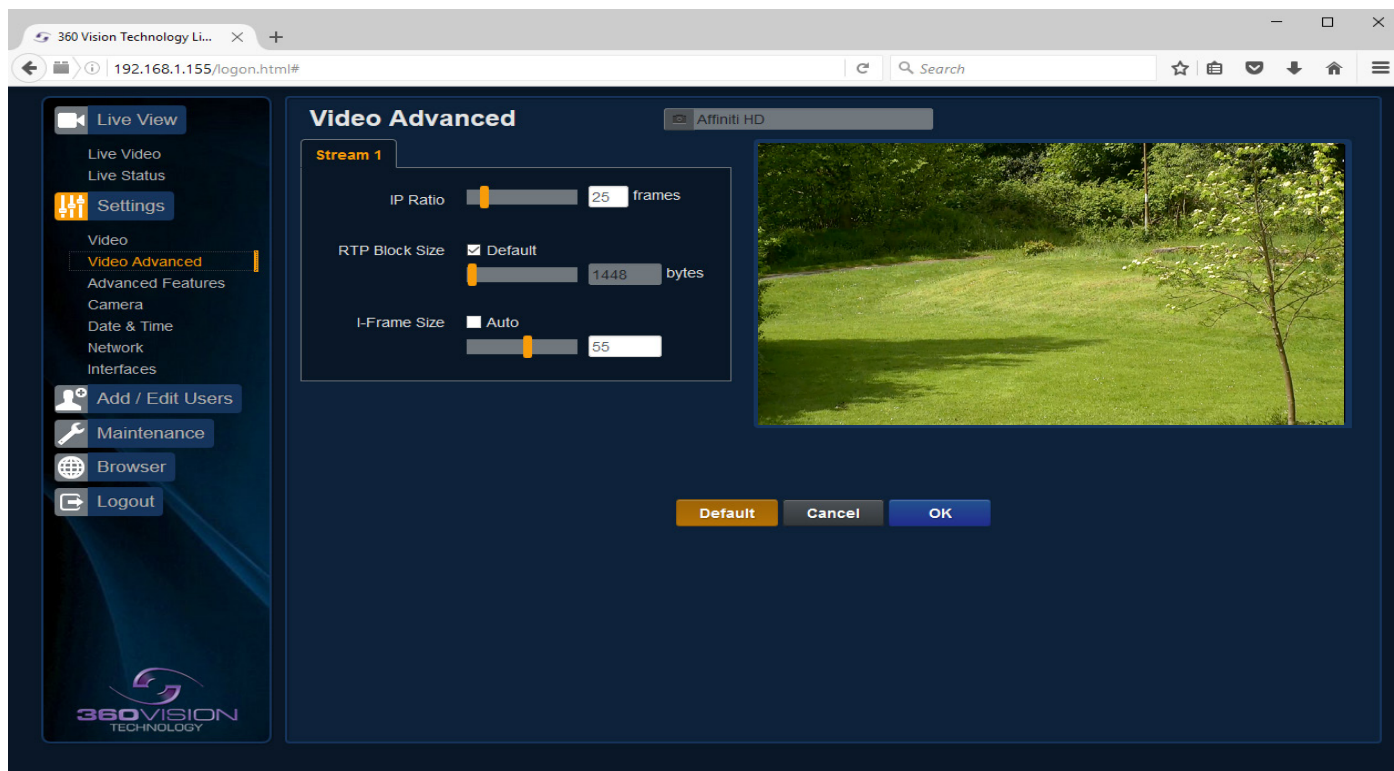
- Date - Selecting this option will show the date as text on the video stream.
(See Date/Time - page 18).
- Time - Selecting this option will show the time as text on the video stream.
(See Date/Time - page 18).
- Text - Selecting this option will show the selected text on the video stream. Positions available are top left or right of the image.
- Detailed Info - This will show the information about the stream on the video.
- Custom A - Current Preset - Used to show the stored preset text when the camera is at the preset position. Text will be shown on top line of video.
- Custom B - Current Preset - Used to show the stored preset text when the camera is at the preset position. Text will be shown on second from top line of the video.

RTSP URL

- Copy - Use this option to copy the RTSP URL
- Date Position - Choose date text to bottom right or left of the image.
- Time Position - Choose time text to bottom right or left of the image.
- Show Sub-stream - Shows second sub-stream if enabled.

OK to program the new settings into the Affiniti-HD.
Cancel to abandon the changes to the video settings.

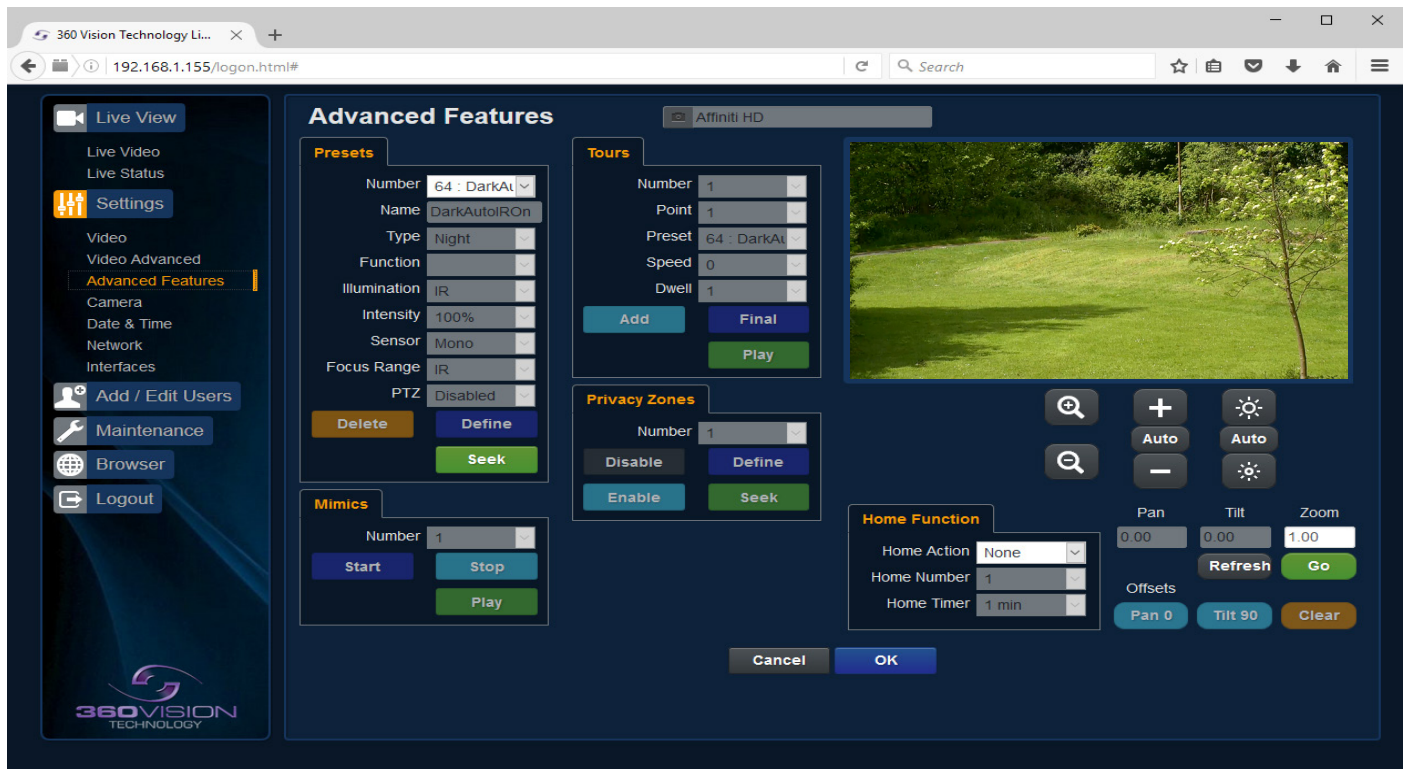
5.2.2 Video Advanced



	Stream 1	
IP Ratio/GOP value (type in a number)	25 (default)	E.g. 1 'i-frame' every 25th image.
RTP Block Size	1448 (default)	Range 1440 to 65500
I Frame Size	55 (default)	Range 0 to 99 (average frame size x value/10 = i frame size)

OK to program the new settings into the Affiniti-HD.
Cancel to abandon the changes to the advanced video settings.
Default is used to factory reset the video stream settings.

5.2.3 Advanced Features



The Advanced Features page, offers options to:-

- Camera - Cannot be edited, shows label/name given to the camera.
(See Video - Camera - page 12).

A 'Preset' is a stored view. When a preset is defined, it will store the zoom, focus and iris positions. Use the zoom buttons to set the image as required.

Presets

Set Preset using the following options:-

- Number - Choose from a list of presets using the drop down box.
- Name - Edit the preset name to suit/help identify the position.
- Type - Options available are:-
 - Night - Allows different options to be used for the preset that include lamps
(See also Camera - Night Presets - page 16).
 - Simple - For setting a simple PTZ preset, no lamp options.
 - Re-Map - Choose which function/preset you want to re-map to the new preset number above.
 - User - Used on systems supporting 360 SDK.
 - Auxiliary - Can be used to recall an auxiliary command.
- Function - Function option will change to suit the above type.
- Illumination - Choice of illumination for preset with night presets function enabled. Options are IR, White Light and off.
- Intensity - Set at 100%, lamp intensity for the preset using the illumination chosen above.
- Sensor - Presets have the choice of being either colour or mono, when the scene is dark.
- Focus Range - Sets how the camera will focus when in mono. Options are ambient or IR. The Focus Range setting will set the camera focus, (when in mono) to suit the light source in the scene.
If this is set incorrectly the image may not be in focus, when in mono at night.
- PTZ - Camera can be set to zoom or not. This can be used to operate the sensor function.

- Seek - Use this to test the preset.
- Define - Use this to set/define the preset.
- Delete - Use this to delete/remove the preset.

Mimics

Feature not available

Tours

Feature not available

Privacy Zones

Feature not available

Home Function

The camera will perform an action (goto a preset), after a period of inactivity.

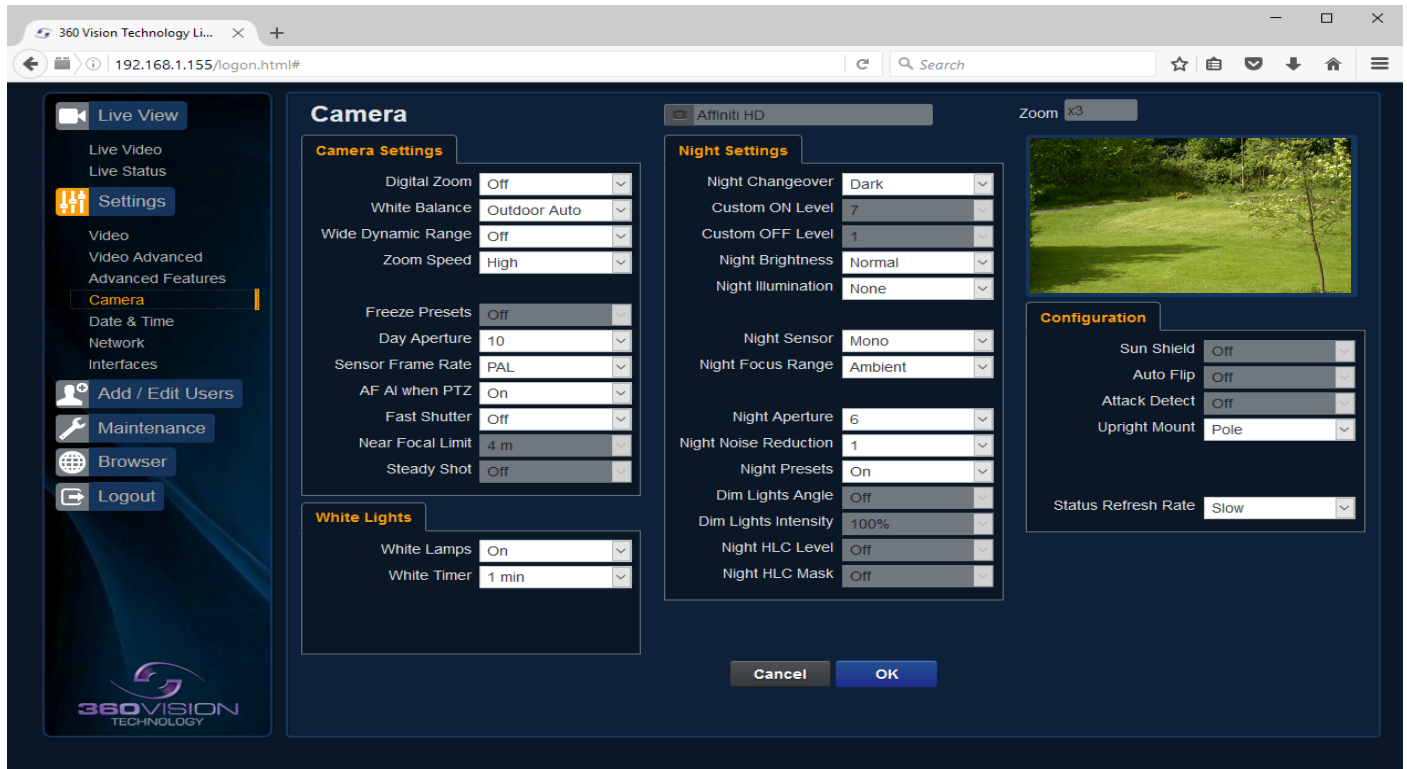
- Home Action - This sends the camera to a preset.
- Home Number - This sets the preset the camera will go to/start.
- Home Timer - This sets the time for the period of inactivity.

Zoom position/ratio is also shown, use the refresh button to refresh the data if the camera has been moved.

Zoom position/ratio can also be added manually, use the go button to send the camera to the ratio set.

OK to program the new settings into the Affiniti-HD.
Cancel to abandon the changes to the advanced feature settings.

5.2.4 Camera



- Camera - Cannot be edited, shows label/name given to the camera.
(See Video - Camera - page 12).

The Camera page, offers options to:-

Camera Settings

- Digital Zoom - Enable digital zoom. Default is off.
- White Balance - Select White Balance settings to suit camera location.
(See page 26 for table of options).
- Wide Dynamic range - Enable WDR. Options available are ON, Auto and Off. Default is off.
- Zoom speed - Select zoom speed of the lens. Options are slow, medium, high and highest. Default is high.
- Freeze Preset - Feature not available.
- Day Aperture - Can be used to increase the picture detail. Default is 10.
- Sensor Frame Rate - Can be used to set the camera to suit 25fps or 30fps. Unit must be rebooted for settings to apply. Default is PAL.
- AF/AI when PTZ - Auto focus/iris will activate when PTZ is used, can be switched off. Default is on.
- Fast Shutter - Select fast shutter is using the Affiniti-HD camera on a ANPR system. Default is off.
(See page 26 for table of options).
- Near Focal Limit - Feature not available.
- Steady Shot - Feature not available.

White Lights

- White Lamps - Set if white lights are to be used.
- White Timer - Set white light timer.

Night Settings

- Night Changeover - Night Changeover settings can be changed to suit the site requirements. Options are dark, medium, light and custom. Default is dark. *This sets when the camera goes into 'dark mode'.*
- Custom On Level - Range is 7 to 25. A lower value will set the level on when the scene is brighter, a higher value will set the level on when the scene is darker. Default is 7.
- Custom Off Level - Range is 1 to 20. A lower value will set the level off when the scene is brighter, a higher value will set the level off when the scene is darker. Default is 1.
- Night Brightness - This controls the exposure compensation, by artificially brightening the image. Options are normal and auto. Default is normal.
- Night Illumination - Choose which type of light source is required for when the camera is in dark mode. Options are IR or white light if supported by the camera.
- Night Sensor - Can be set to colour or mono. Default is mono.
- Night Focus Range - Sets how the camera will focus (when in mono) to suit the light source in the scene. If this is set incorrectly the image may not be in focus.
- Night Aperture - Can be used to increase the picture detail. Default is 3.
- Night Noise Reduction - Used to reduce noise with scenes of low illumination. NR must be set to suit the environment. Default is 1.
- Night Presets - This can be used to set the presets to different settings if required. Default is on. *(See Advanced Features - page 14).*
- Dim Lights Angle - Feature not available.
- Dim Lights Intensity - Feature not available.
- Night HLC Level - Feature not available.
- Night HLC Mask - Feature not available.

Configuration

- Sun Shield - Feature not available.
- Auto Flip - Feature not available.
- Attack Detect - Feature not available.
- Upright Mount - Can be used to flip the image, so the camera can be used on a pole or a ceiling. Default is pole.
- Status Refresh Rate - Can be used to help speed up telemetry control of the camera, by slowing down the refresh rate.

OK to program the new settings into the Affiniti-HD.
Cancel to abandon the changes to the camera settings.

5.2.5 Date/Time

The screenshot displays the 'Date & Time' configuration page for an Affiniti HD camera. The interface includes a sidebar with navigation options such as 'Live View', 'Settings', and 'Add / Edit Users'. The main content area is titled 'Date & Time' and is divided into three sections:

- Camera Time:** Shows the current date and time of the camera. The current date is 16/09/2016 and the time is 00:05:40. The format is set to DD/MM/YYYY and the time format is 24-hour.
- Set Time:** Offers three options for setting the time:
 - Set manually:** Allows inputting the date (08/11/2016) and time (16 hr, 11 min, 35 sec).
 - Synchronise with computer time:** Allows synchronizing with the local computer time (Date: 08/11/2016, Time: 16:11:38).
 - Synchronise with NTP server:** Allows synchronizing with an NTP server (pool.ntp.org). The calibration status is shown as COMPLETE.
- Timezone:** Allows selecting a time zone (Europe) and location (London). The POSIX Timezone is GMT0BST,M3.5.0/1,M10.5.0. There is a checkbox for 'Automatically adjust for daylight saving time changes' which is checked.

At the bottom of the page, there are 'Cancel' and 'OK' buttons.

- Camera - Cannot be edited, shows label/name given to the camera. *(See Video - Camera - page 12).*
- Camera Time - Cannot be edited, shows the current date and time of the camera.
- Date Format - Select from the drop down the date format.
- Time Format - Choose 24hr or 12hr time display.

Set Time

The Date/Time page, offers options to:-

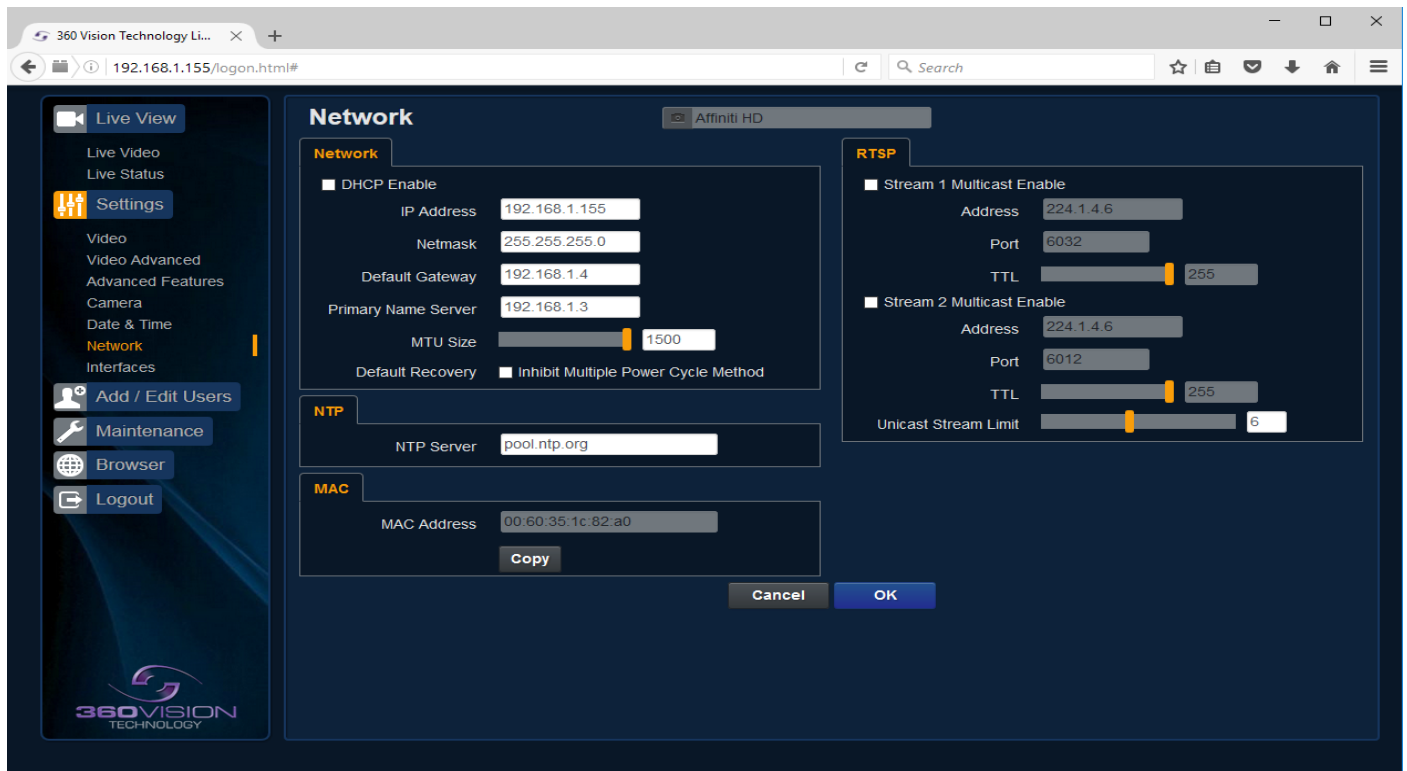
- Set Manually - Input time/date manually.
- Synchronize with Computer Time - Put a tick in the button and then click OK, to apply the local computer date/time to the camera.
- Synchronize with NTP Server - Put a tick in the button and then click OK, to apply the local server date/time to the camera.
- NTP Server - Input the address of the time server required, default is pool.ntp.org.

Time Zone

- Time Zone - Select time zone to suit the location of the camera/system.

OK to apply the new settings into the Affiniti-HD.
Cancel to abandon the changes to the date/time settings.

5.2.6 Network



- Camera - Cannot be edited, shows label/name given to the camera.
(See Video - Camera - page 12).

Network

The Network tab, offers options to:-

- DHCP Enable - Allows the camera to be set using a dynamic IP address.
- IP Address - Input a static IP address, if DHCP is not used.
- Netmask - Input the Network Subnet Mask.
- Default Gateway - Input the Network Gateway.
- Primary Name Server - Input the Domain name server, if required.
- MTU Size - Option to change the MTU size, default is 1500 bytes.
- Inhibit Multiple Power Cycle Method - Disables the Network recovery process
(See Network Settings Recovery - page 25)

NTP

- NTP Server - Input the address of the time server required, default is pool.ntp.org.

MAC

- MAC Address - Displays the camera MAC address.

RTSP - (See Stream Tables - page 27).

Tick the box to enable 'multicast'. If the box is not ticked then 'unicast' is selected.

- Multicast Stream 1 - Set IP address, port and TTL for stream 1.
- Multicast Stream 2 - Set IP address, port and TTL for stream 2.

RTSP protocols allow 'multicast' or 'unicast' transmission. In addition to the 'multicast' feature being available on the Affiniti-HD, the 'multicast' feature must also be available on the receiving device.

Unicast

If lots of receivers (users) want to receive video streams from the Affiniti-HD, each receiver will have a separate video stream. This would increase the network bandwidth used. E.g. five users would require five video streams, that typically will require five times the bandwidth.

Multicast

If the receivers of the video streams are suitable for using 'multicast' and the video streams will all have the same format, then it may be possible to use 'multicast'. In this mode, the CODEC in the Affiniti-HD chooses a 'new UDP address' (Typically an address which is outside the normal range of addresses for the network to which the Affiniti-HD is connected) and sends a video stream to the 'new UDP address'. Multiple receivers can then access this single video stream. Consequently the bandwidth that is required by the Affiniti-HD is typically reduced to the single video stream.

When using 'multicast' all intermediate network-switches and routers must be set to allow the stream from the 'new UDP address' to be routed correctly.

OK to apply the new settings into the Affiniti-HD.
Cancel to abandon the changes to the network settings.

5.2.7 Interfaces

The screenshot shows the 'Interfaces' configuration page for an Affiniti HD camera. The page is divided into two main sections:

- Configurable Auxiliary Functions:** A table with 8 rows, each representing an auxiliary function (AUX1 to AUX8). Each row has a 'Function' dropdown menu (all set to 'Off') and an 'ONVIF Token' text input field (all set to 'AUX1' through 'AUX8').
- Force ONVIF Configuration:** A section with several dropdown menus and text input fields for various settings:
 - Reported Version: Default
 - Preset Token Format: Default
 - Authorisation Elevation: Default
 - Pan Position Range: 0 -> 360
 - Tilt Position Range: 0 -> 180
 - Advertise Multicast: Disabled
 - Auxiliary Functions: Configurable, Standard & Ac

At the bottom of the page are 'Cancel' and 'OK' buttons.

Auxiliary Functions

Allows the camera to be configured to use Onvif Auxiliary commands.

Features available are:-

- Force White Light On - Forces white lights on.
- Force White Light Off - Switches off forced white lights.
- Dark IR Light On - Switch on IR, when dark.
- Dark White Light On -Switch on white light, when dark.
- Dark Lights Off - When dark, switch off all lamps.
- Dark Sensor Mono - Sets the camera to a mono image, when dark.
- Dark Sensor Colour - Sets the camera to a colour image, when dark.
- Dark Focus White - Sets the camera focus (when in mono), to suit the scene when ambient light is present.
- Dark Focus IR - Sets the camera focus (when in mono) to suit the scene when IR light is present.
- Disable Forced Settings - Switch off forced settings, camera to use settings as per light level.

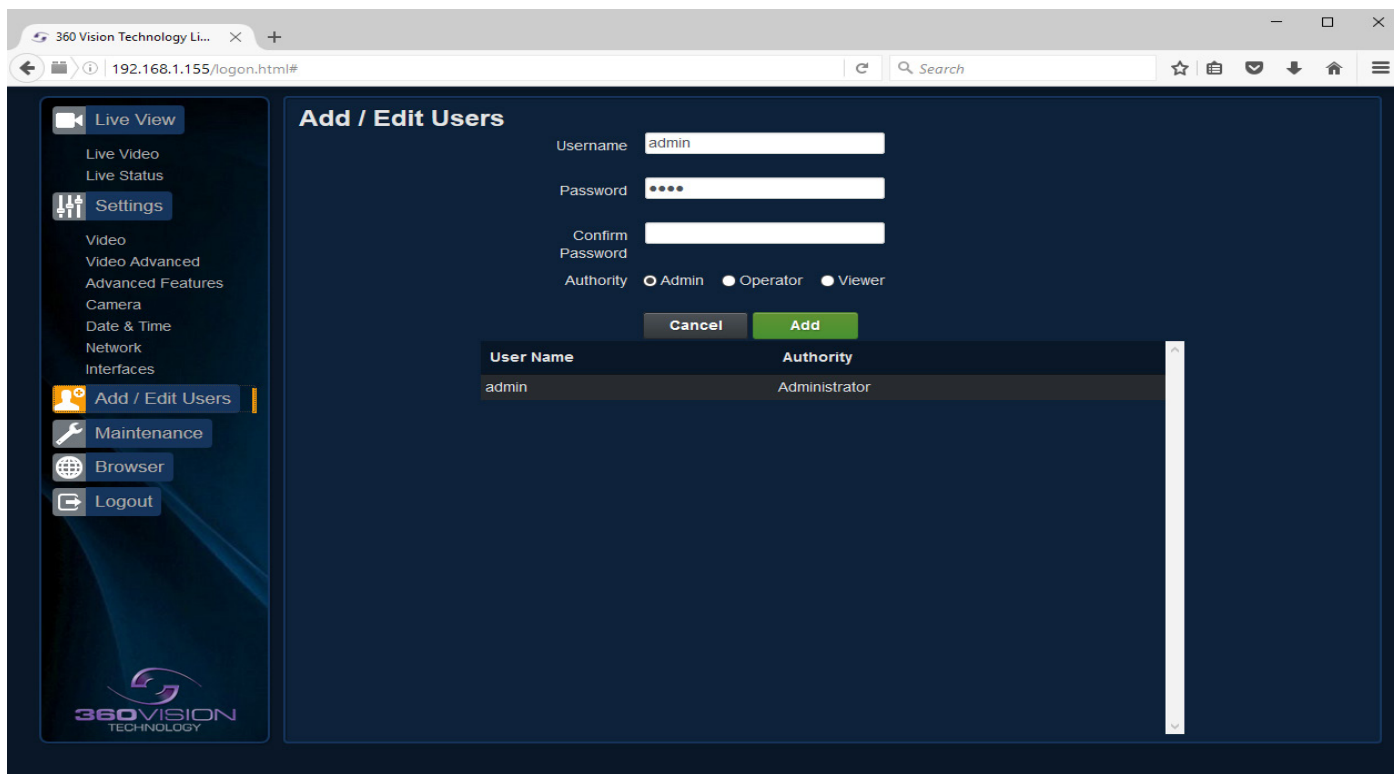
Dark relates to when the camera is in dark mode, see section Camera - Night Changeover - page 16.

Force Onvif Version Configuration

- Reported Version - Can be used to change the Onvif version reported by the camera to the VMS, options are:- Default - Onvif 2.40, V2.02, V2.20 & V2.40. Ok setting and then re-boot camera from web page to apply.
- Preset Token Format - Default (Used on certain VMS servers. Uses mix of text and 'P' zero-pad number as preset tokens). Number only (Used on certain VMS servers. Uses numbers as preset tokens). 'P' zero-pad number (Used on certain VMS servers. Uses P001 to P360 as preset tokens).
- Authorisation Elevation - Used on Vicon VMS, allows the anonymous user to set as admin, viewer or operator.
- Pan/Tilt position Range - Feature not available.
- Advertise Multicast - Switch on to advertise the camera supports multicast via onvif. Camera does not support multicast and unicast on the same video stream.
- Auxiliary Functions - Used to set how the VMS will see the Onvif Auxiliary Token.
 - Configurable - Aux 1 - 8, configurable via web page
 - Standard - Standard Onvif
 - Additional - Additional control commands using the Onvif Standard

OK to apply the new settings into the Affiniti-HD.
Cancel to abandon the changes to the interface settings.

5.3 Add/Edit Users



The Add/Edit Users page, allows the admin user to create both operator and viewer level login details. The admin user login password, can also be changed here. The web page admin password is also the Onvif admin password. Care must be taken, when changing the admin password.



There is no way of recovering the Affiniti-HD admin password if forgotten.

5.4 Maintenance

- Camera - Cannot be edited, shows label/name given to the camera.
(See Video - Camera - page 12).

Version

- Firmware - Current firmware loaded onto the camera.

Storage

- Used and free space on the memory device. Used for the firmware update process.
- Format - You can use this option to format the storage device. Please stay on the web page while it is doing this. Once formatted the unmount button will show as mount. Use this to mount the device so that it can be used by the camera.
- Unmount - Select this option to unmount the storage, once confirmed. The web page will report back that the process is successful.

NTP Calibration

Used to calibrate the codec clock to a NTP server so that the codec time is more accurate.

- Start - Click on this option to start the process. Synchronize with NTP Server option must be selected with access to the NTP server. The process takes approx 20 minutes.

Parameters and Settings

- Backup Settings - Save - Used to save the camera settings.
The file is displayed as Affiniti_HD_YYYYMMDD_HHMM.DAT clicking on this file will download the file to the PC download folder.
- Restore Settings - Browse to the required DAT file and then click restore. The camera will then apply the settings and reboot the camera.
PLEASE note:- All saved camera settings including passwords will be uploaded to the camera.
- Validate Settings - Used to validate the uploaded settings, after the camera reboot process.
- Reset Settings
 - Default Parameters - Reset codec parameters i.e. video stream settings.
 - Factory reset - This will reboot the camera and all the settings, except IP address will be lost.

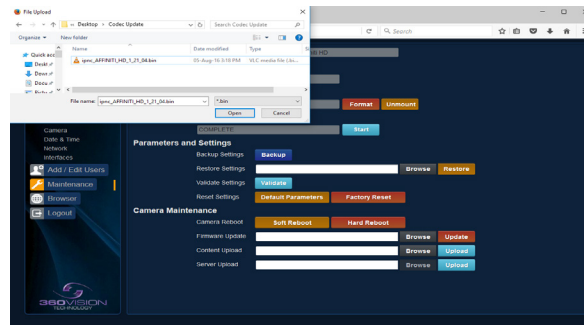
Camera Maintenance

- Camera reboot
 - Soft reset - This will reboot the codec, no settings will be lost.
 - Hard reset - This will reboot the camera, no settings will be lost.
- Firmware Update - Browse to codec file and then click on update. The camera codec will then be updated. The Affiniti-HD camera will re-boot once the update has been performed.

DO NOT interfere with this process as it may stop the camera from working.

Contact 360 Vision Technical Support for the link to the codec update files.

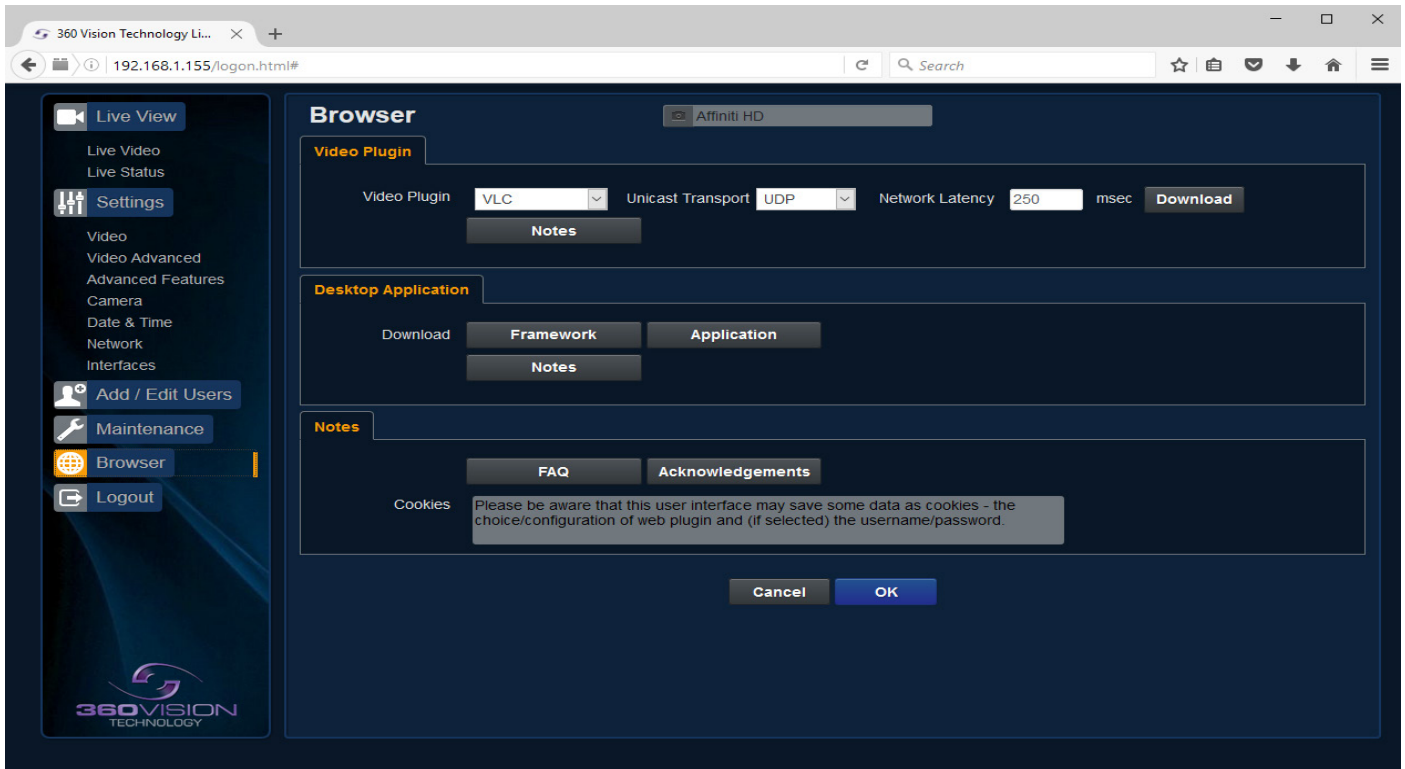
- Content Upload - Upload application software to camera memory.
- Server Upload - Download application files from FTP/HTTP server.



Update Screen

OK to apply the new settings into the Affiniti-HD.
Cancel to abandon the changes to the maintenance settings.

5.5 Browser



Video Plugin

- Video Plugin - Choose video plugin, choice of VLC, JPEG (every 1 seconds), or none.
- Unicast Transport - Choice of UDP or TCP.
- Network Latency - Adjust Video player latency/buffer.
- Download - Download video plugin from the camera.

Desktop Application

- Framework - Download framework to run desktop application.
- Application - Download software for the standalone application.
- Notes - Notes on how to install the desktop application.

OK to apply the new settings into the Affiniti-HD.

Cancel to abandon the changes to the settings.

6 Special Presets

Illumination (when it is dark)	Seek 64 (On)	IR (mono/colour not changed)	Seek 66 (Off)
	Seek 65 (On)	White Lights (mono/colour not changed, no timer)	Seek 66 (Off)
Night Sensor (when it is dark)	Seek 67 (Mono)		Seek 68 (Colour)
Night Focus Range (when it is dark)	Seek 69 (Ambient)		Seek 70 (IR)
White Lights (when it is dark)	Seek 100 (On)	White Lights (change to colour, timer used)	Seek 101 (Off)

7 Network Settings Recovery

When network settings are changed, the IP address, Net Mask and Gateway are validated before they are saved. However if the settings are such that the Affiniti HD has settings which mean that it cannot be seen on the user's network, it may become necessary to use the 'Network Settings Recovery' feature as described below.

The 'Network Settings Recovery' IP address may conflict with an IP address that is already defined on the network, it may be necessary to disconnect the Affiniti HD from the network and control it locally using a network connection to a laptop so that the IP address can be set to a suitable setting before the Affiniti HD is reconnected to the main network.

Procedure for 'Network Settings Recovery'

Disconnect the Affiniti HD from the network.

Turn power to the Affiniti HD OFF for 3 seconds.

Turn power to the Affiniti HD ON for 4 seconds.

Repeat the above three times.

On the final power ON, leave the power switched on for at least 5 minutes to allow the Affiniti HD to initialise.

(See section [Locating the Affiniti HD on your network - page 7](#)).

8 Important - Care of Painted Surfaces

The powder coating applied to the Affiniti HD external housing is recognised as being in the forefront for quality and finish. However, in order to preserve the aesthetic finish it is recommended that the coating is regularly cleaned.

Regular cleaning on a maximum three month interval, using warm and mild detergent must be undertaken. Abrasive cleaners including strong solvent must NOT be used at any time.

In areas where the coating may come in contact with concentrated atmospheric pollutants [marine, chemical and especially bird droppings] it would be prudent to clean more frequently e.g. monthly.

Full documentation of the cleaning schedule MUST be maintained to ensure that a warranty claim can be considered.

If damage occurs to the coating (e.g. the Affiniti HD is dropped, scrapped etc.), repairs MUST be carried out immediately.

When the Affiniti HD is installed in areas where there is a high risk of damage from birds or their droppings, additional precautions and measures should be used to keep the birds away from the Affiniti HD e.g. fit anti-bird spikes.

9 Storage and Handling

Affiniti HD should be handled with care and must not be dropped. When Affiniti HD are being stored before installation they should be kept in the transit packaging and located in a dry indoor environment preferably between 1°C and 35°C which is dry and dust free. Humidity should such that water vapour is non-condensing. Affiniti HD can be allowed to be outside this range for short periods of time (24 hours maximum) for transport (e.g. in aircraft or vans) but must never be allowed to be outside the normal operating temperature range of -40°C to +60°C even during storage. Before installation the Affiniti HD should be clean and dry. (If necessary it should be cleaned and dried taking care that the cover is not scratched).

10 Warranty

This information and/or any technical information – whether received verbally or writing – is given in good faith but without warranty and this also applies where proprietary rights of third parties are involved. The information provided does not release you from your obligation to check its validity and to test the products suitability for the intended purpose(s) and use(s). The application, use and installation of the products either in isolation or in conjunction with other products used, provided and installed by you on the basis of the technical advice issued are beyond our control and therefore remain entirely your own responsibility.

©2015 ALL DESIGNS AND SPECIFICATIONS ARE SUBJECT TO CHANGE WITHOUT NOTICE

11 White Balance options

White Balance Options
Auto
Outdoor
Indoor
Auto Tracing
Indoor A, B & C
Sodium
Sodium Auto A & B

12 Fast Shutter options

Fast Shutter Options
1/1000
1/1250
1/1750
1/2500
1/3500
1/6000
1/10000

13 Stream Resolutions & RTSP links

	Resolution
MJPEG (rtsp://ipaddress/mjpeg)	1080 (1920 x 1080)

	Resolution		Resolution
H.264 (rtsp://ipaddress/h264main)	720 (1280 x 720)	MPEG4 (rtsp://ipaddress/mpeg4main)	720 (1280 x 720)
	D1 (720 x 576)		D1 (720 x 576)
	SXVGA (1280 x 960)		SXVGA (1280 x 960)
	1080 (1920 x 1080)		1080 (1920 x 1080)

	Resolution	
	H.264	MJPEG
H.264 (rtsp://ipaddress/h264main) & MJPEG (rtsp://ipaddress/mjpeg)	720 (1280 x 720)	VGA (640 x 480)
	D1 (720 x 576)	D1 (720 x 576)
	720 (1280 x 720)	720 (1280 x 720)
	1080 (1920 x 1080)	QVGA (432 X 240)
	1080 (1920 X 1080)	D1 (720 X 576)

	Resolution	
	MPEG4	MJPEG
MPEG4 (rtsp://ipaddress/mpeg4main) & MJPEG (rtsp://ipaddress/mjpeg)	720 (1280 x 720)	VGA (640 x 480)
	D1 (720 x 576)	D1 (720 x 576)
	720 (1280 x 720)	720 (1280 x 720)
	1080 (1920 x 1080)	QVGA (432 X 240)
	1080 (1920 X 1080)	D1 (720 X 576)

	Resolution	
Dual MPEG4 (rtsp://ipaddress/mpeg4main) (rtsp://ipaddress/mpeg4sub)	720 (1280 x 720)	QVGA (432 x 240)
	D1 (720 x 576)	D1 (720 x 576)
	D1 (720 x 576)	QVGA (432 x 240)
	1080 (1920 x 1080)	QVGA (432 X 240)
	1080 (1920 X 1080)	D1 (720 X 576)

	Resolution	
Dual H.264 (rtsp://ipaddress/h264main) (rtsp://ipaddress/h264sub)	720 (1280 x 720)	QVGA (432 x 240)
	D1 (720 x 576)	D1 (720 x 576)
	D1 (720 x 576)	QVGA (432 x 240)
	1080 (1920 x 1080)	QVGA (432 X 240)
	1080 (1920 X 1080)	D1 (720 X 576)

	Resolution	
	H.264	MJPEG
H.264 (rtsp://ipaddress/h264main) & MPEG4 (rtsp://ipaddress/mpeg4sub)	D1 (720 x 576)	D1 (720 x 576)
	1080 (1920 X 1080)	D1 (720 x 576)

